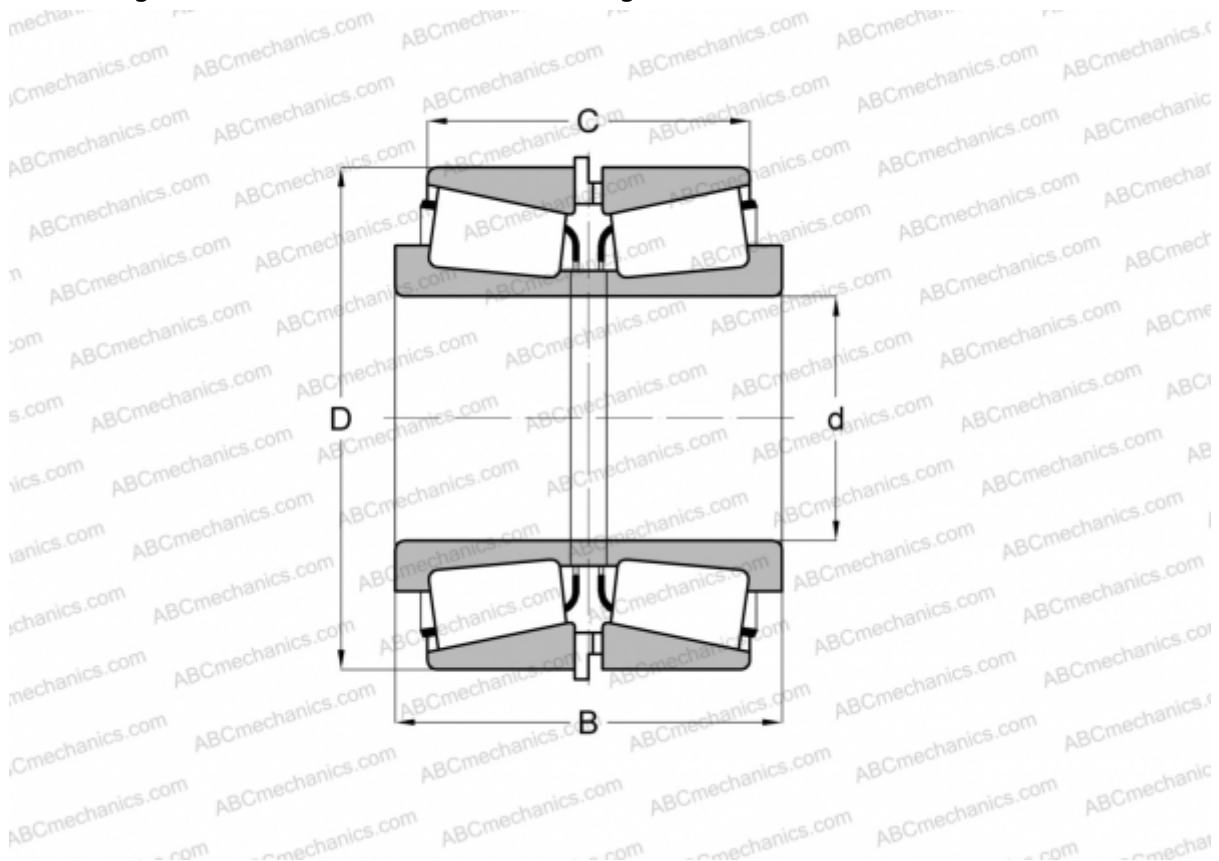


594/592A + X4S-594 TIMKEN

Tapered roller bearings

TYPE: Roller bearings, Tapered, Tapered roller bearing assembly, Type 2TS-IM (X-mounting), two single row bearing with inner and outer distance rings



Technical specification

DIMENSIONS, MM

d	95,250
D	152,400
B	79,375
C	60,325

WEIGHT, KG 5,030

MANUFACTURER [TIMKEN](#)