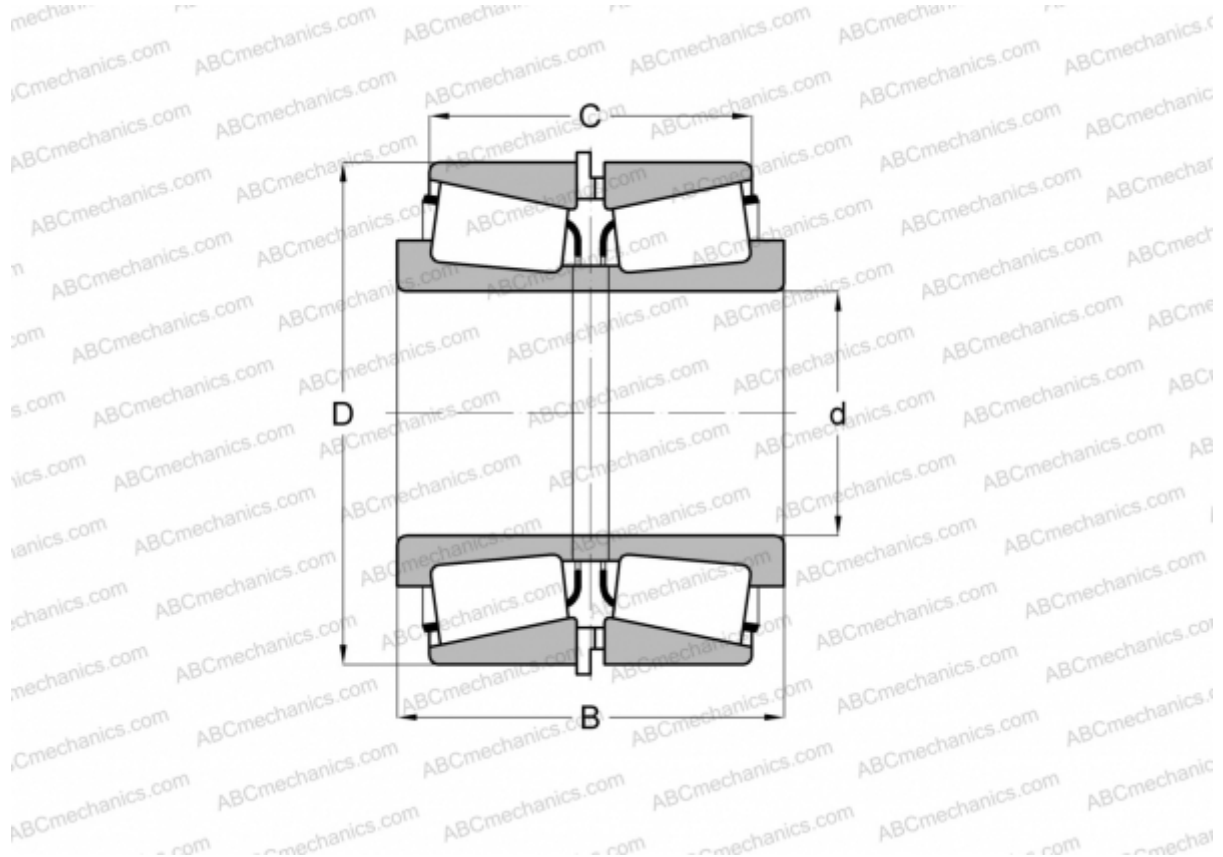


## JHM720249/JHM720210 + M720249XB/HM720210ES TIMKEN

Tapered roller bearings

TYPE: Roller bearings, Tapered, Tapered roller bearing assembly, Type 2TS-IM (X-mounting), two single row bearing with inner and outer distance rings



### Technical specification

#### DIMENSIONS, MM

d	100,000
D	160,000
B	89,416
C	71,412

**WEIGHT, KG** 6,280

**MANUFACTURER** [TIMKEN](#)