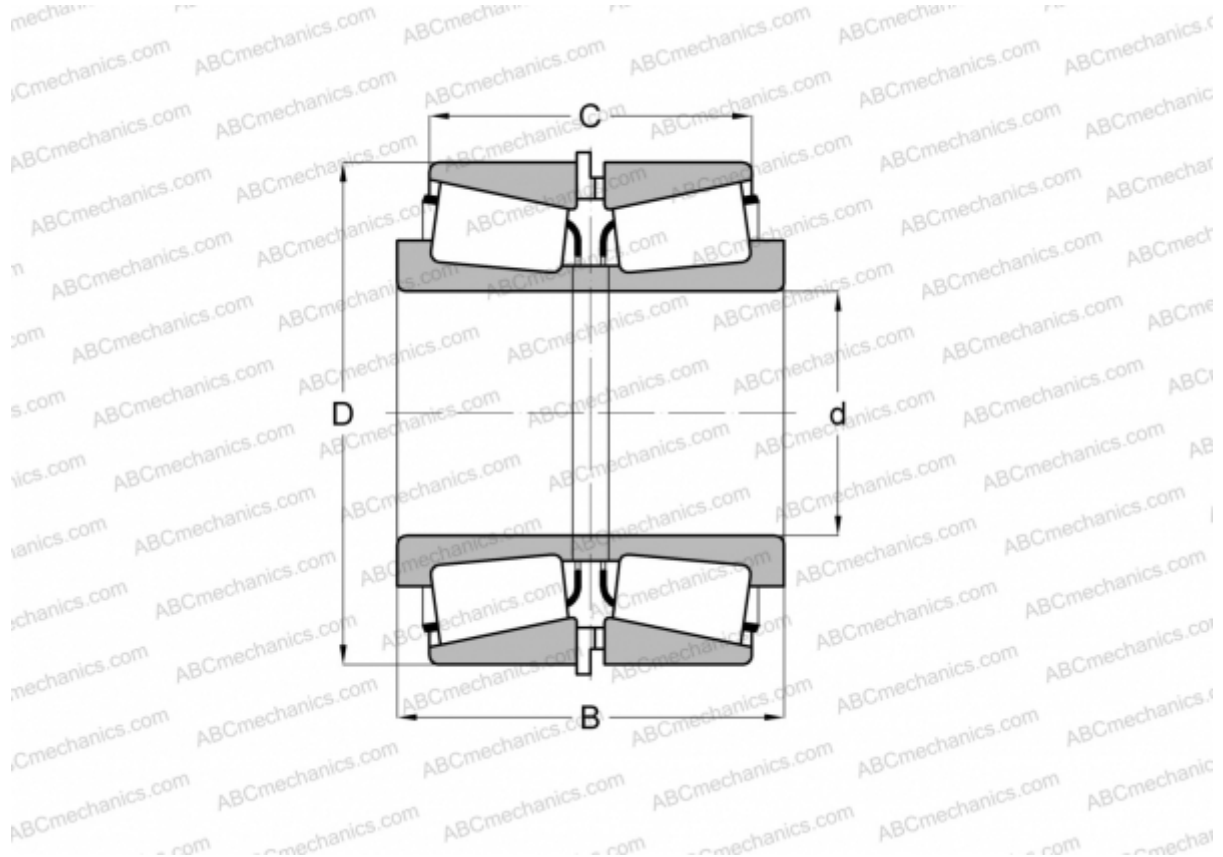


HH221449/HH221410 + HH221449XS/HH221410ER TIMKEN

Tapered roller bearings

TYPE: Roller bearings, Tapered, Tapered roller bearing assembly, Type 2TS-IM (X-mounting), two single row bearing with inner and outer distance rings



Technical specification

DIMENSIONS, MM

d	101,600
D	190,500
B	189,586
C	167,361

WEIGHT, KG 18,790

MANUFACTURER [TIMKEN](#)