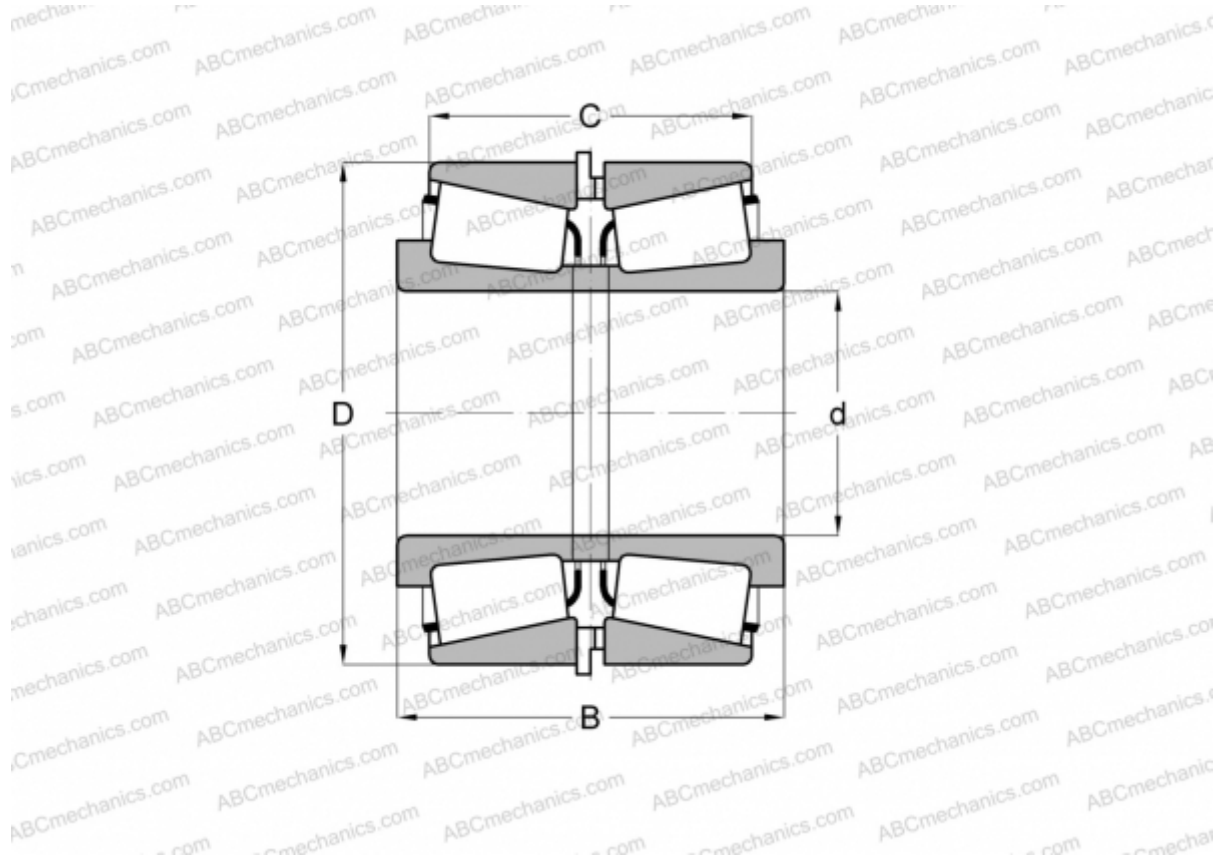


HH923649/HH923610 + HH923649XA/K84215

TIMKEN

Tapered roller bearings

TYPE: Roller bearings, Tapered, Tapered roller bearing assembly, Type 2TS-IM (X-mounting), two single row bearing with inner and outer distance rings



Technical specification

DIMENSIONS, MM

d	101,600
D	250,825
B	165,100
C	114,300

WEIGHT, KG 35,930

MANUFACTURER [TIMKEN](#)