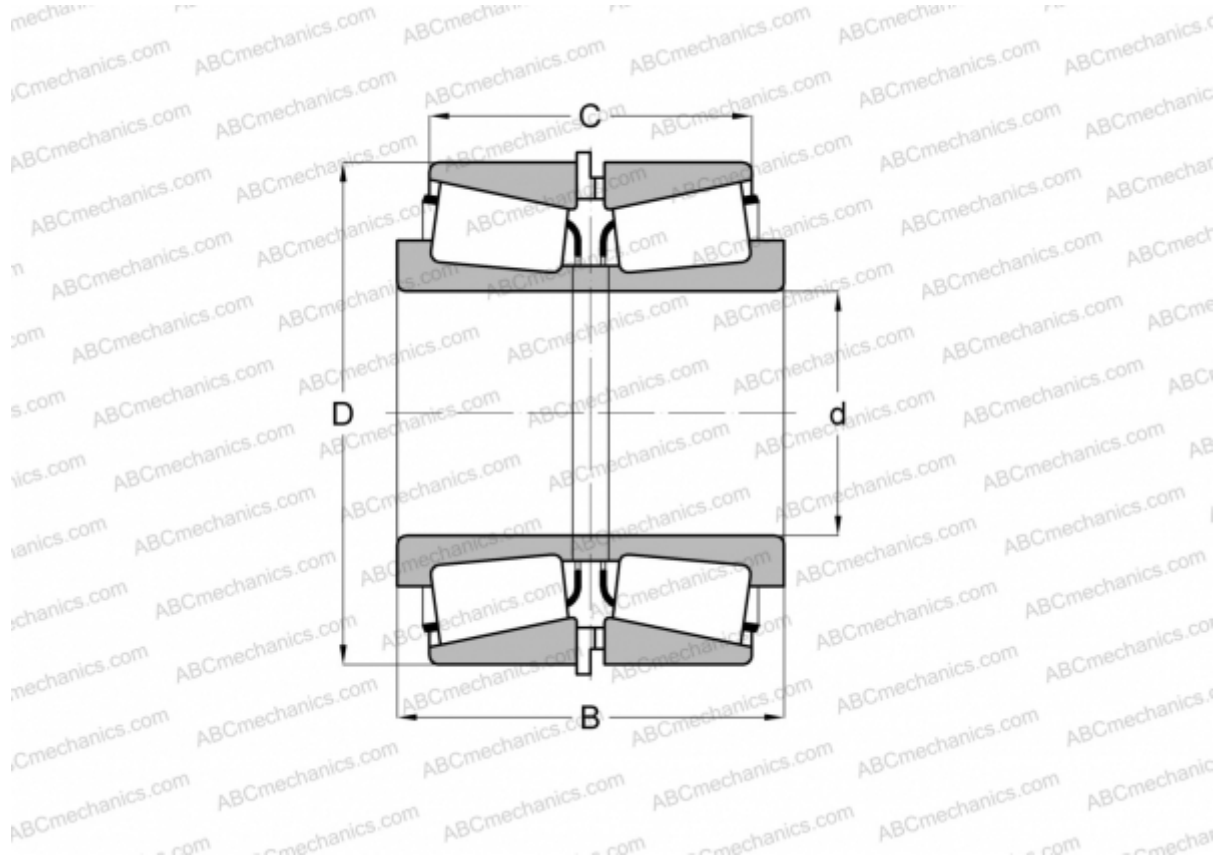


JHM522649AC/JHM522610 + HM522649XA/HM522610ES TIMKEN

Tapered roller bearings

TYPE: Roller bearings, Tapered, Tapered roller bearing assembly, Type 2TS-IM (X-mounting), two single row bearing with inner and outer distance rings



Technical specification

DIMENSIONS, MM

d	110,000
D	180,000
B	102,365
C	84,365

WEIGHT, KG 9,370

MANUFACTURER [TIMKEN](#)