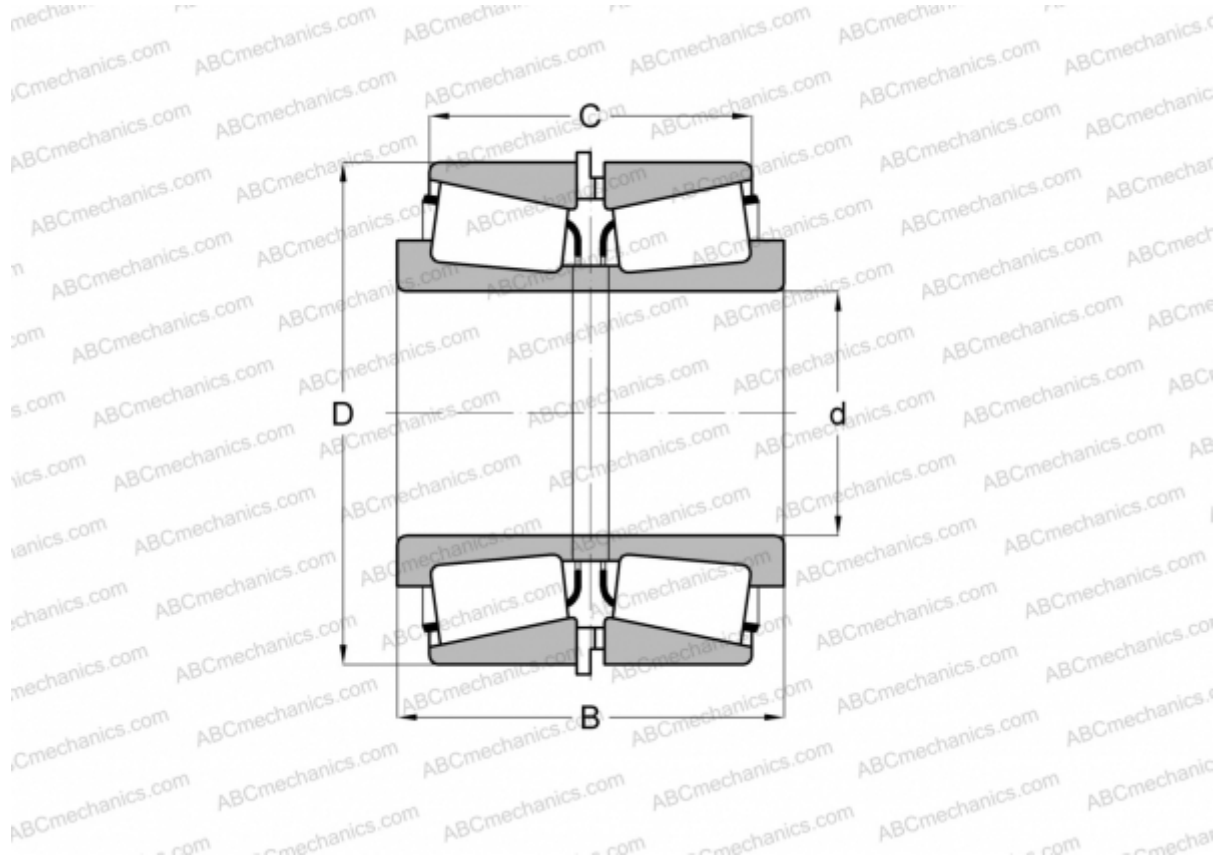


HH224346/HH224310 + HH224346XC/HH224310EX TIMKEN

Tapered roller bearings

TYPE: Roller bearings, Tapered, Tapered roller bearing assembly, Type 2TS-IM (X-mounting), two single row bearing with inner and outer distance rings



Technical specification

DIMENSIONS, MM

d	114,300
D	212,725
B	150,350
C	124,950

WEIGHT, KG 20,740

MANUFACTURER [TIMKEN](#)