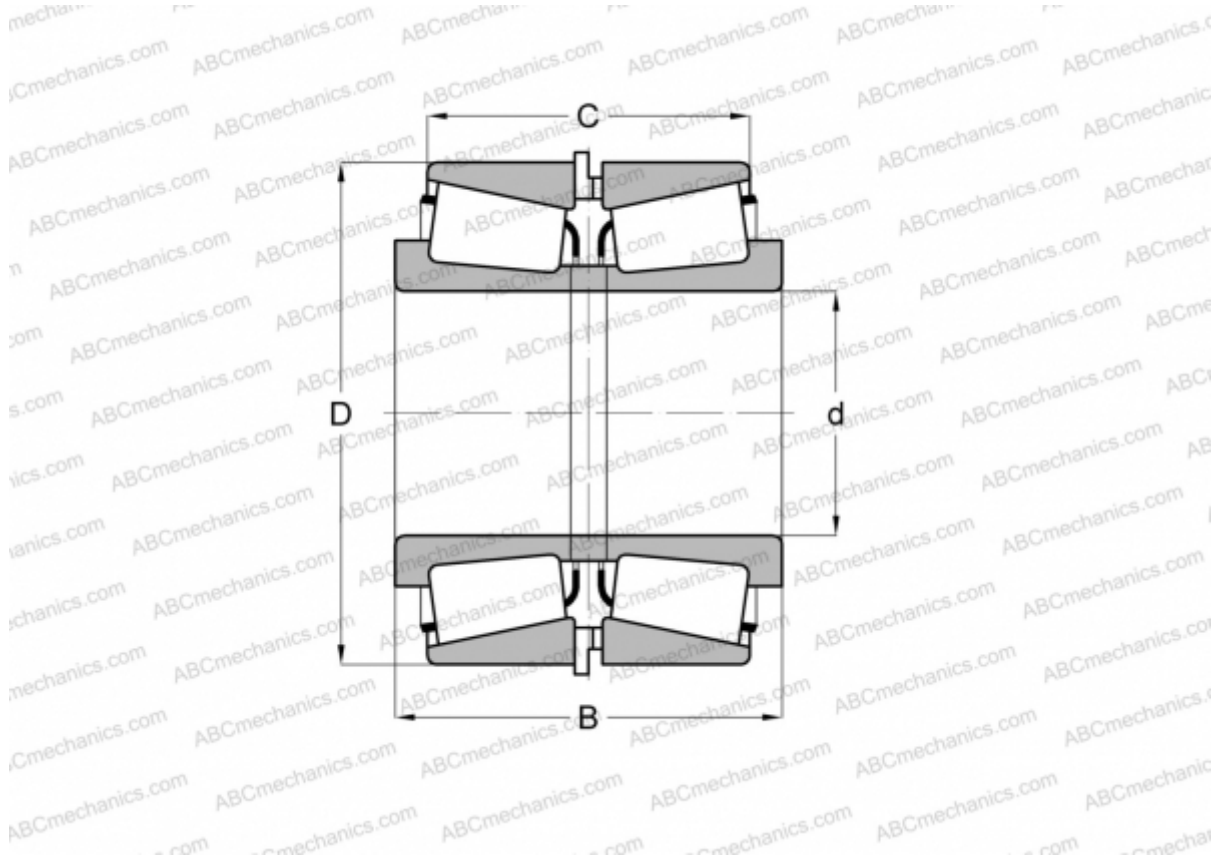


HM926740/HM926710 + HM926740XE/HM926710ER TIMKEN

Tapered roller bearings

TYPE: Roller bearings, Tapered, Tapered roller bearing assembly, Type 2TS-IM (X-mounting), two single row bearing with inner and outer distance rings



Technical specification

DIMENSIONS, MM

d	114,300
D	228,600
B	212,725
C	180,975

WEIGHT, KG 32,840

MANUFACTURER [TIMKEN](#)