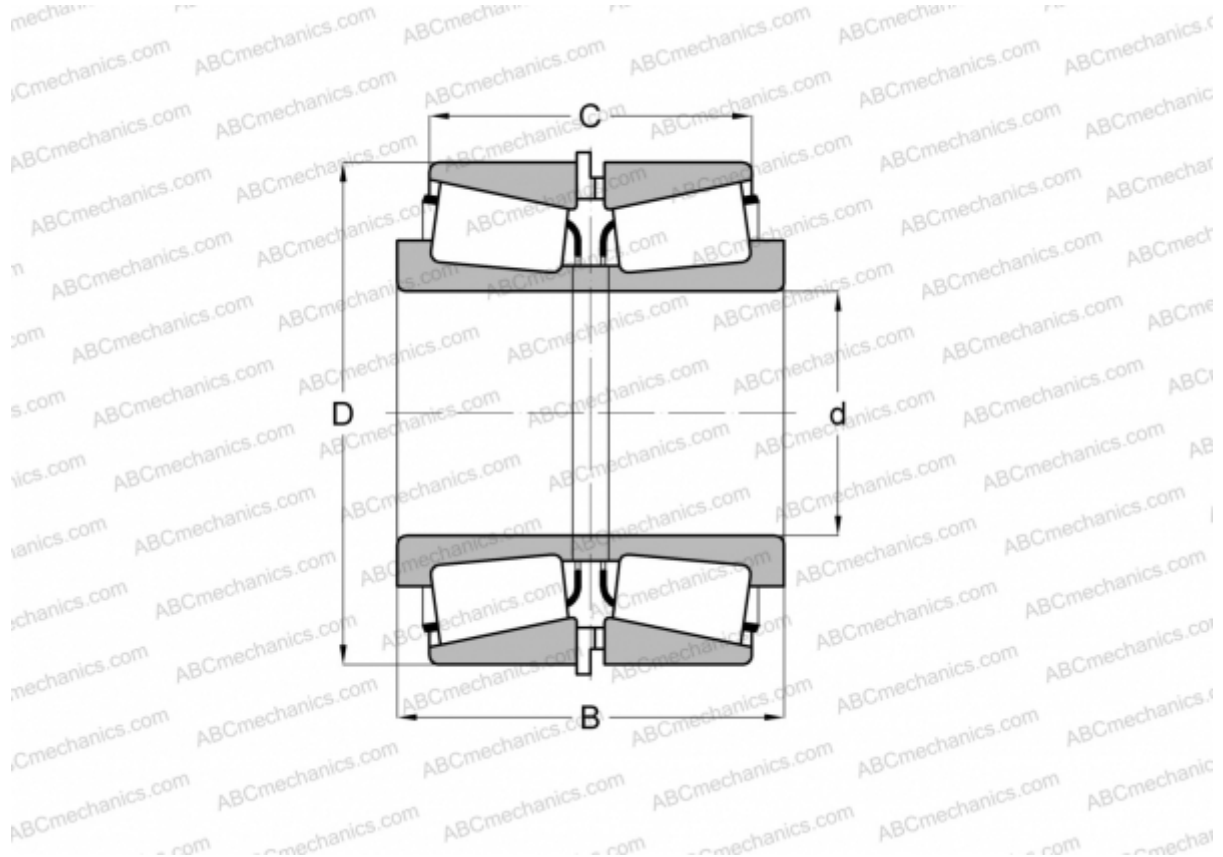


HH926744/HH926710 + HH926744XE/HH926710EX TIMKEN

Tapered roller bearings

TYPE: Roller bearings, Tapered, Tapered roller bearing assembly, Type 2TS-IM (X-mounting), two single row bearing with inner and outer distance rings



Technical specification

DIMENSIONS, MM

d	114,300
D	273,050
B	269,875
C	212,725

WEIGHT, KG 63,580

MANUFACTURER [TIMKEN](#)