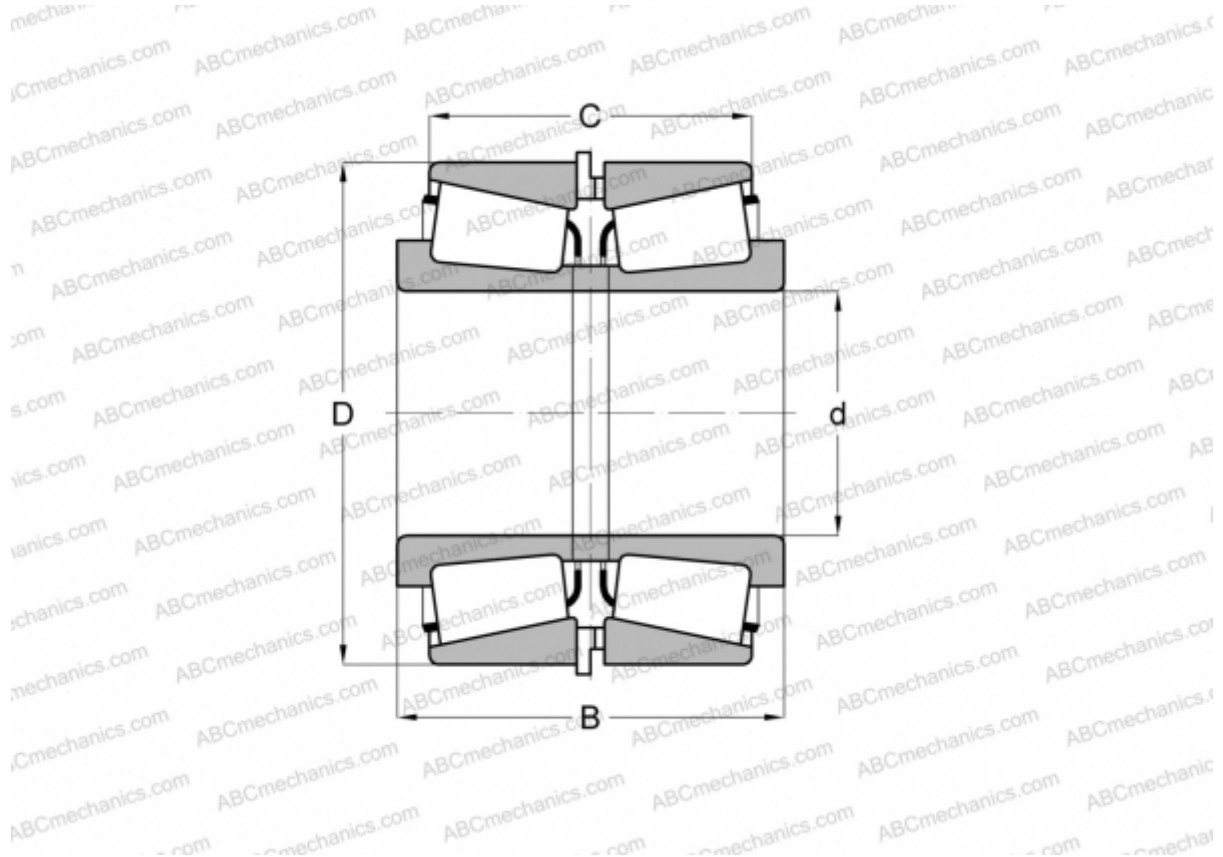


X30224M/Y30224M + K151562/K161561

TIMKEN

Tapered roller bearings

TYPE: Roller bearings, Tapered, Tapered roller bearing assembly, Type 2TS-IM (X-mounting), two single row bearing with inner and outer distance rings



Technical specification

DIMENSIONS, MM

d	120,000
D	215,000
B	99,000
C	80,000

WEIGHT, KG 13,520

MANUFACTURER [TIMKEN](#)