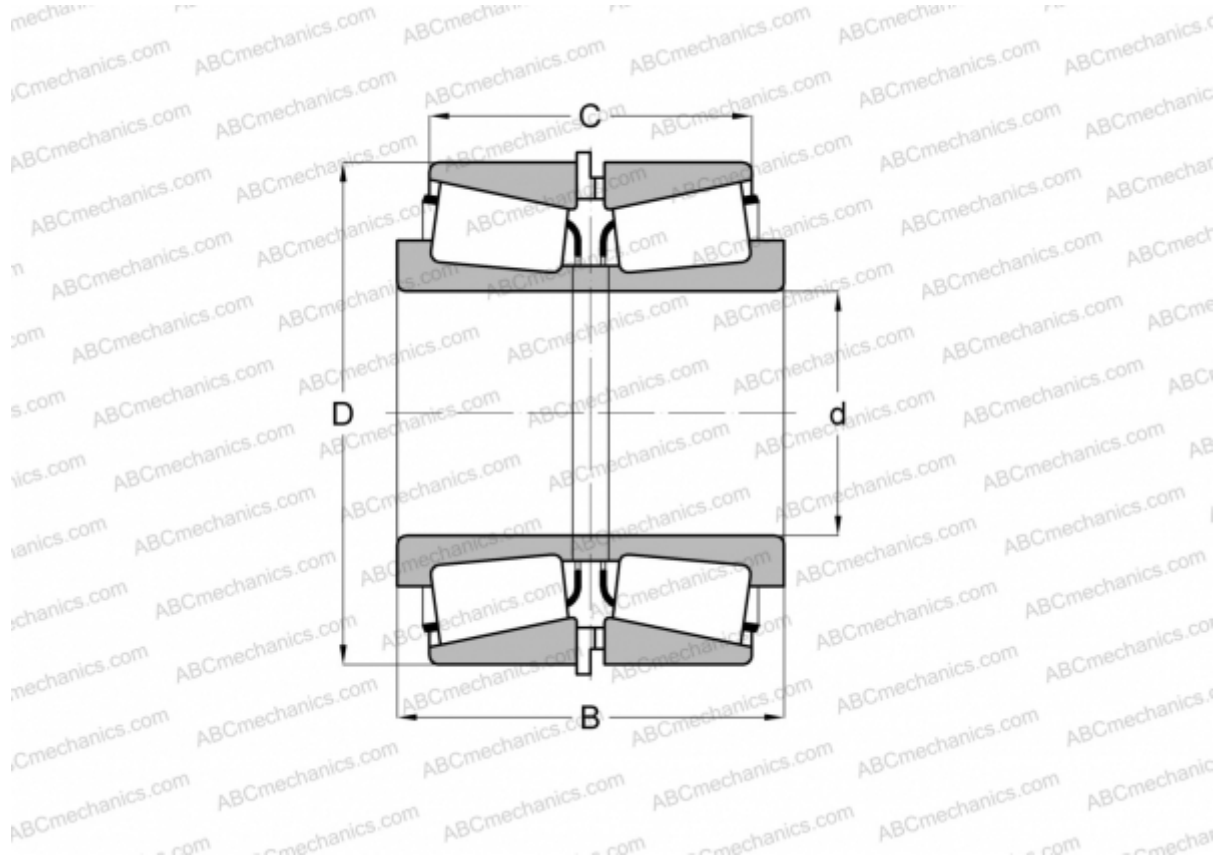


## HH926749/HH926710 + HH926749XA/HH926710EA TIMKEN

Tapered roller bearings

TYPE: Roller bearings, Tapered, Tapered roller bearing assembly, Type 2TS-IM (X-mounting), two single row bearing with inner and outer distance rings



### Technical specification

#### DIMENSIONS, MM

d	120,650
D	273,050
B	177,800
C	120,650

**WEIGHT, KG** 44,650

**MANUFACTURER** [TIMKEN](#)