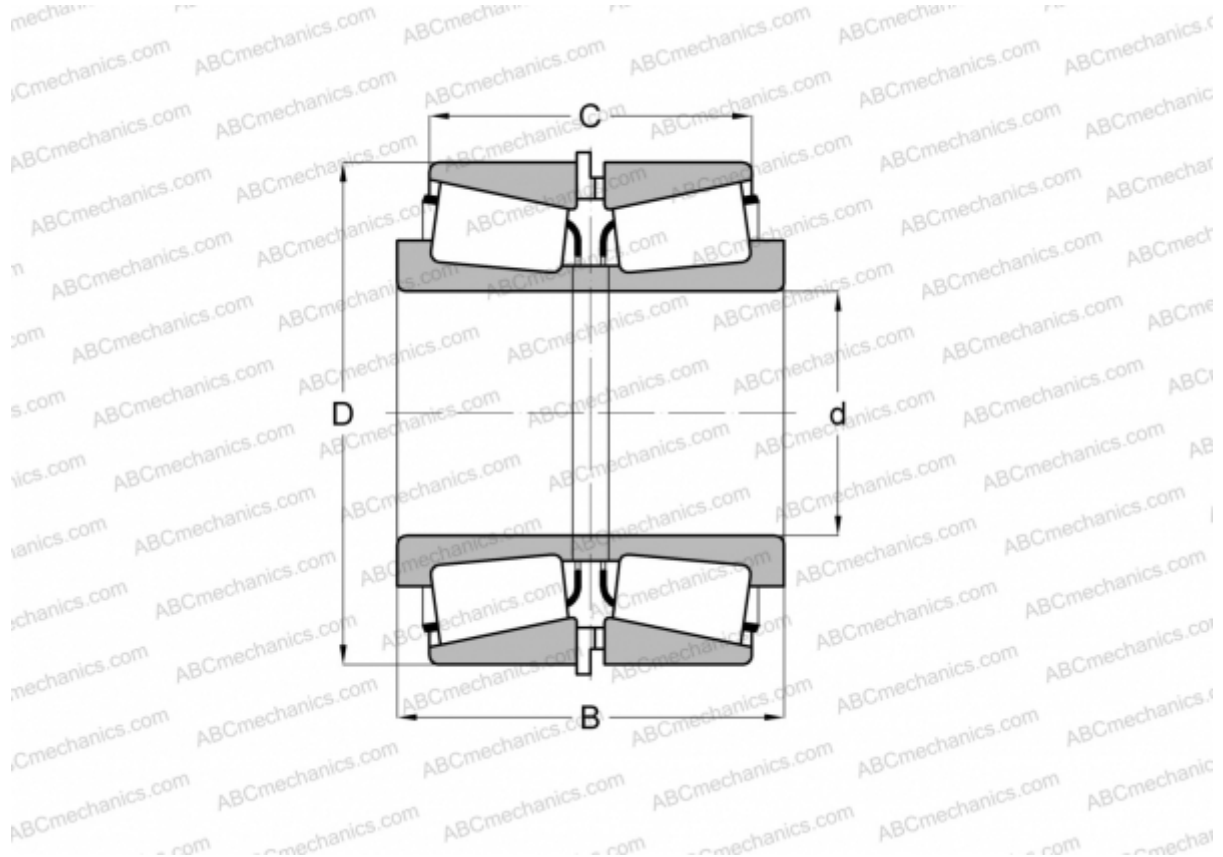


HM926749/HM926710 + HM926749XE/HM926710EB TIMKEN

Tapered roller bearings

TYPE: Roller bearings, Tapered, Tapered roller bearing assembly, Type 2TS-IM (X-mounting), two single row bearing with inner and outer distance rings



Technical specification

DIMENSIONS, MM

d	127,792
D	228,600
B	115,888
C	84,138

WEIGHT, KG 18,150

MANUFACTURER [TIMKEN](#)