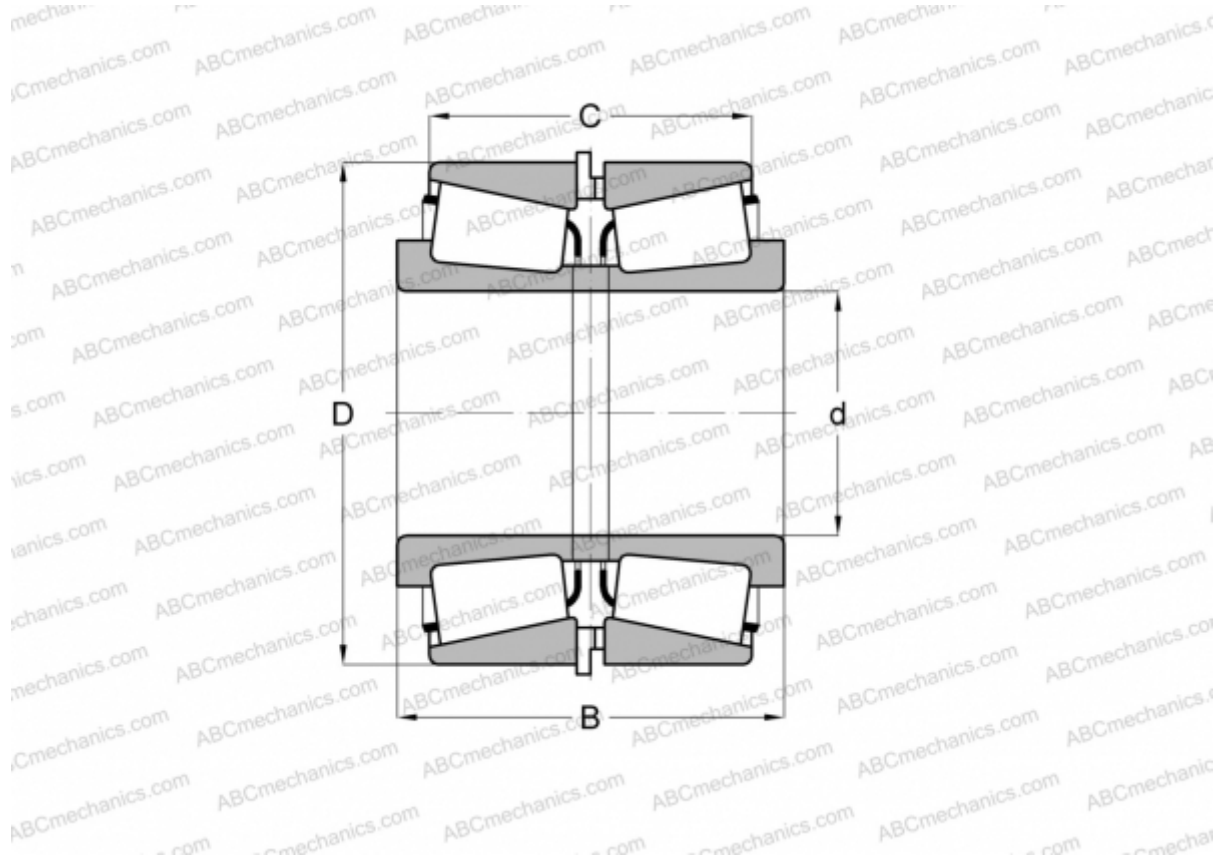


JP13049/JP13010 + K160157/K160158

TIMKEN

Tapered roller bearings

TYPE: Roller bearings, Tapered, Tapered roller bearing assembly, Type 2TS-IM (X-mounting), two single row bearing with inner and outer distance rings



Technical specification

DIMENSIONS, MM

d	130,000
D	185,000
B	69,000
C	53,000

WEIGHT, KG 4,760

MANUFACTURER [TIMKEN](#)