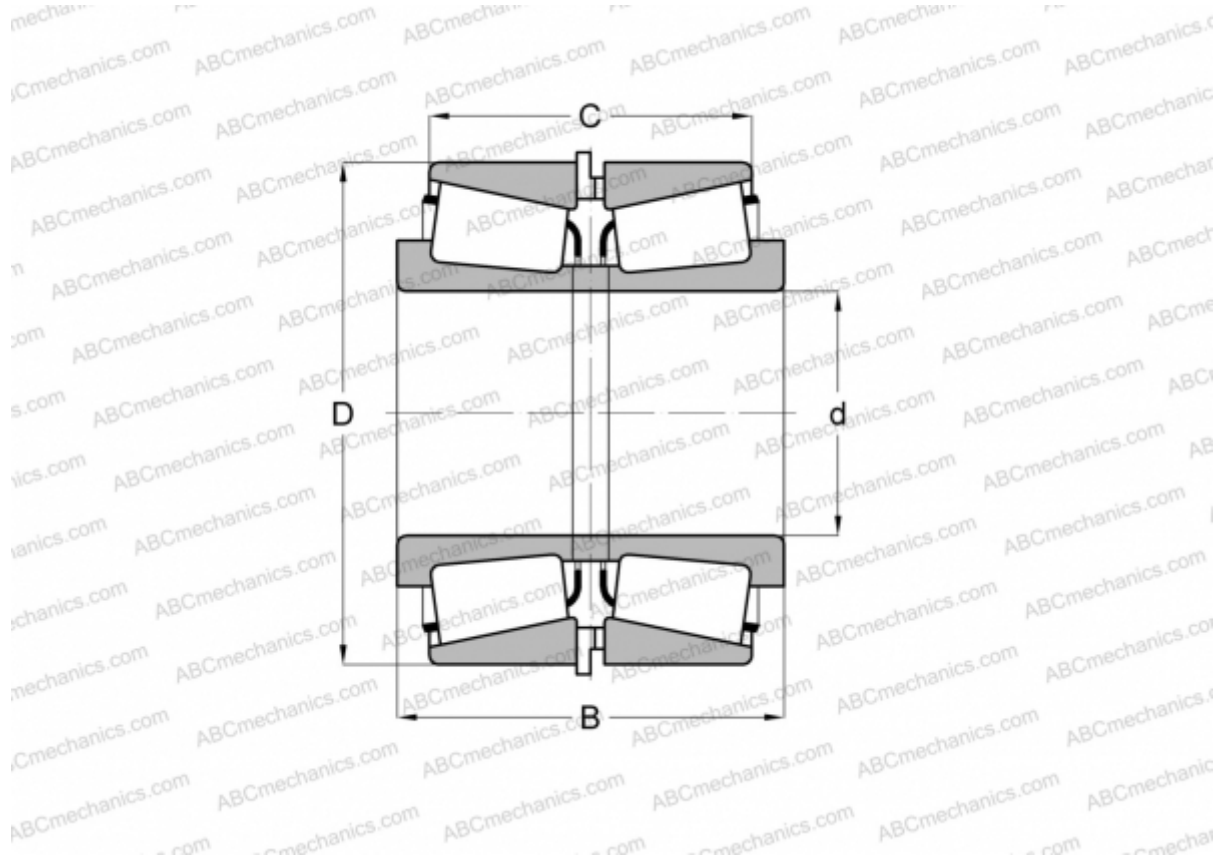


74525/74850 + X3S-74525/Y6S-74850

TIMKEN

Tapered roller bearings

TYPE: Roller bearings, Tapered, Tapered roller bearing assembly, Type 2TS-IM (X-mounting), two single row bearing with inner and outer distance rings



Technical specification

DIMENSIONS, MM

d	133,350
D	215,900
B	222,250
C	196,850

WEIGHT, KG 24,630

MANUFACTURER [TIMKEN](#)