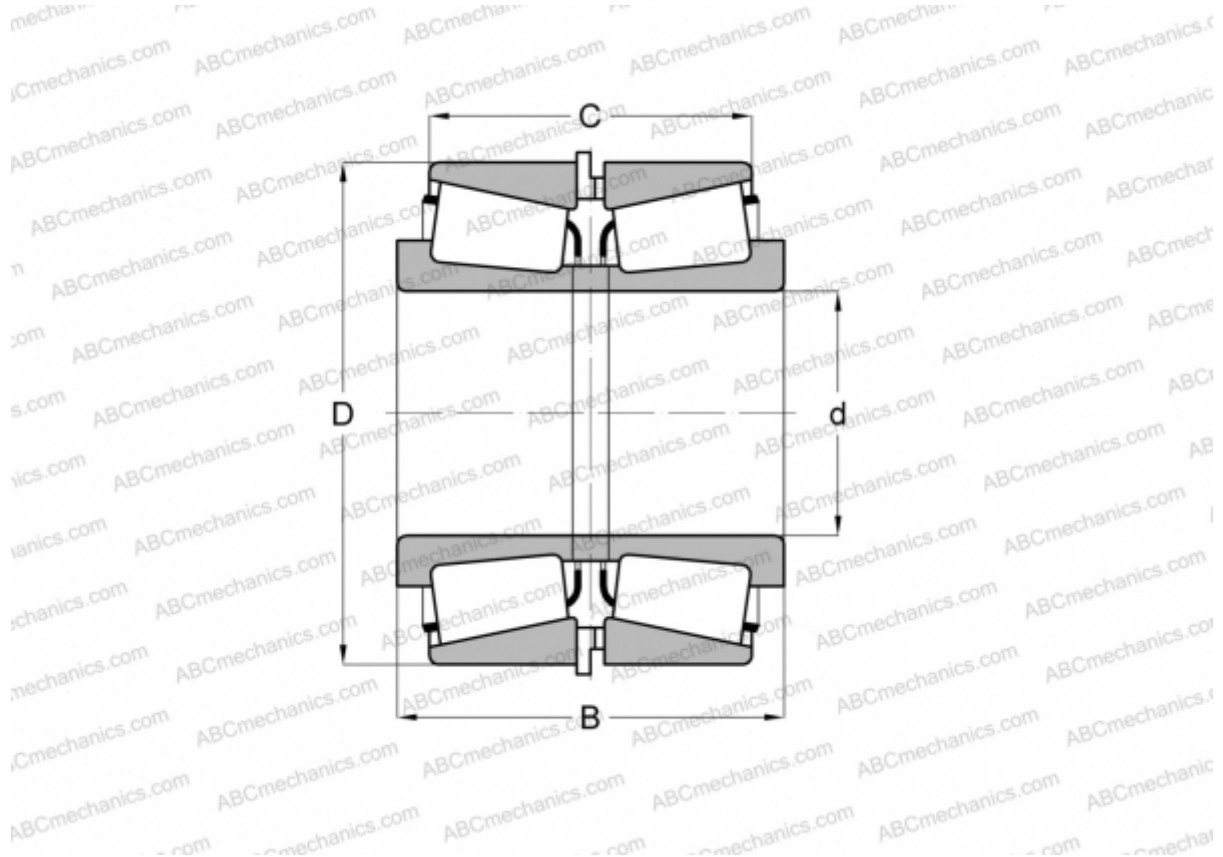


HH234031/HH234010 + HH234031XA

TIMKEN

Tapered roller bearings

TYPE: Roller bearings, Tapered, Tapered roller bearing assembly, Type 2TS-IM (X-mounting), two single row bearing with inner and outer distance rings



Technical specification

DIMENSIONS, MM

d	139,700
D	307,975
B	298,450
C	254,000

WEIGHT, KG 68,720

MANUFACTURER [TIMKEN](#)