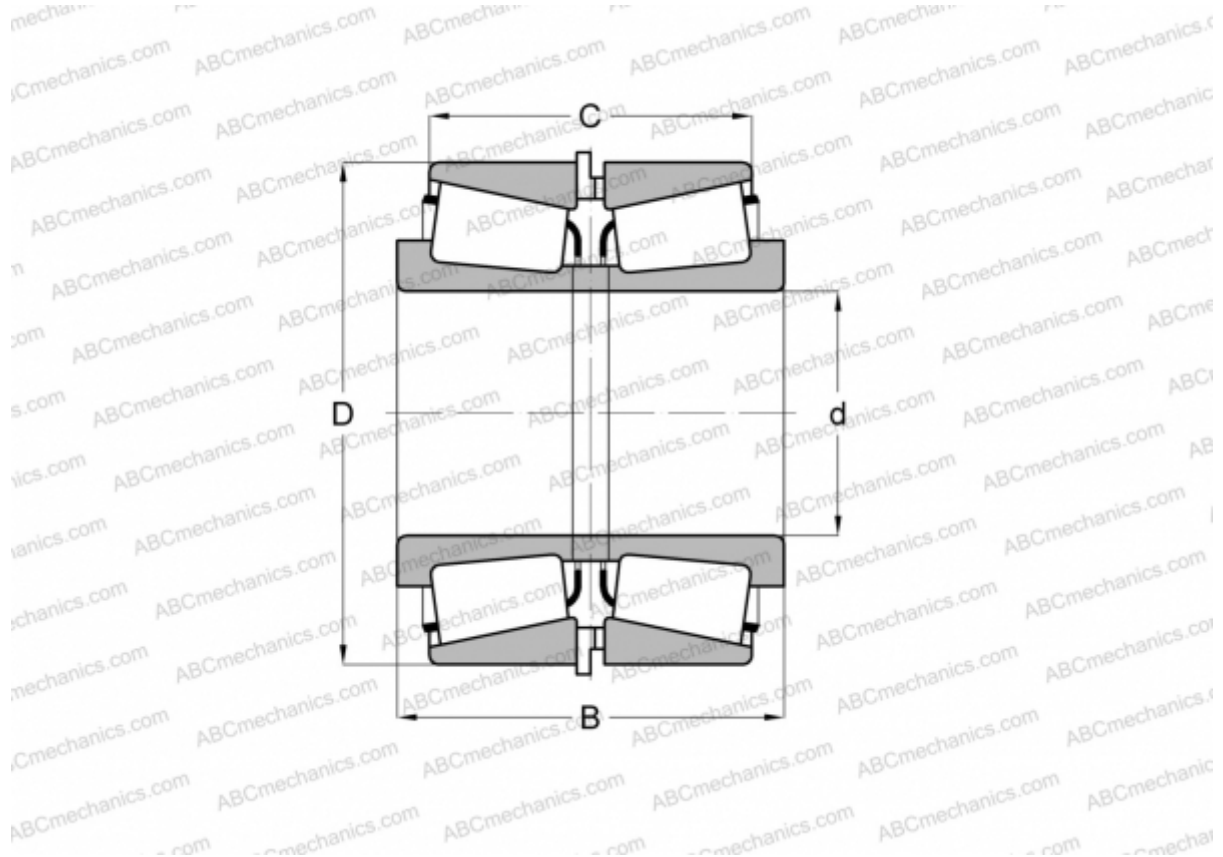


NP655864/107105 + K167806/K167807

TIMKEN

Tapered roller bearings

TYPE: Roller bearings, Tapered, Tapered roller bearing assembly, Type 2TS-IM (X-mounting), two single row bearing with inner and outer distance rings



Technical specification

DIMENSIONS, MM

d	146,050
D	268,288
B	164,225
C	129,300

WEIGHT, KG 37,620

MANUFACTURER [TIMKEN](#)