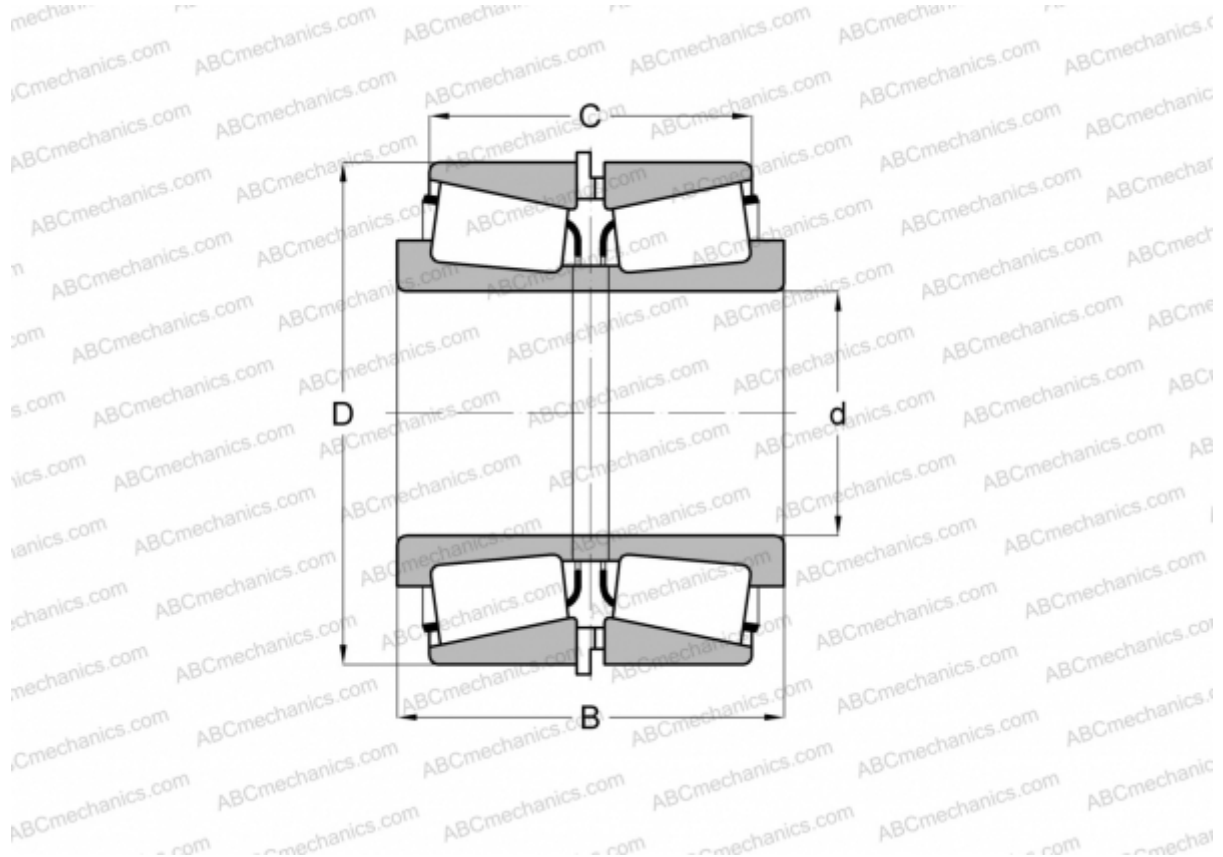


HM231148/HM231110 + HM231148XB/HM231110EE TIMKEN

Tapered roller bearings

TYPE: Roller bearings, Tapered, Tapered roller bearing assembly, Type 2TS-IM (X-mounting), two single row bearing with inner and outer distance rings



Technical specification

DIMENSIONS, MM

d	149,225
D	236,538
B	135,000
C	109,600

WEIGHT, KG 19,800

MANUFACTURER [TIMKEN](#)