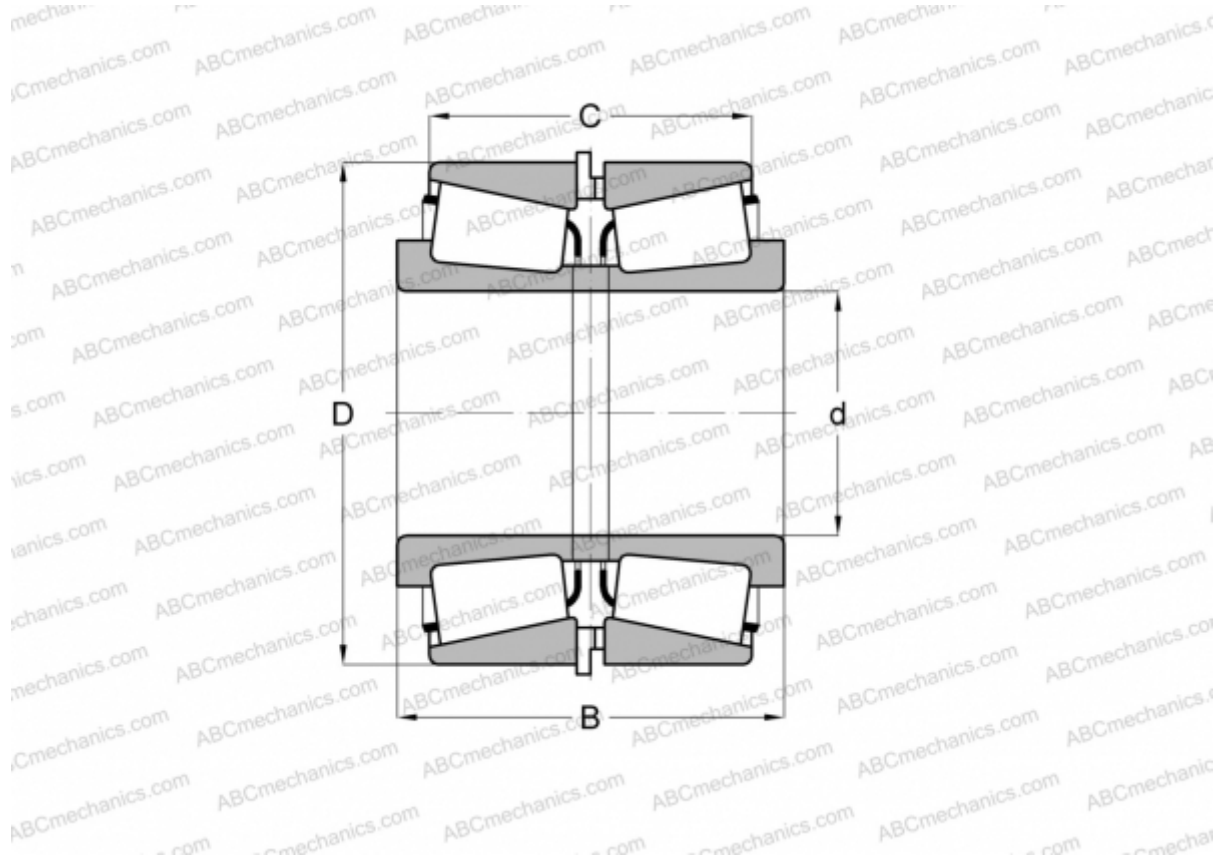


H936340/H936310 + H936340XE/H936310EE

TIMKEN

Tapered roller bearings

TYPE: Roller bearings, Tapered, Tapered roller bearing assembly, Type 2TS-IM (X-mounting), two single row bearing with inner and outer distance rings



Technical specification

DIMENSIONS, MM

d	155,575
D	330,200
B	180,975
C	117,475

WEIGHT, KG 66,720

MANUFACTURER [TIMKEN](#)