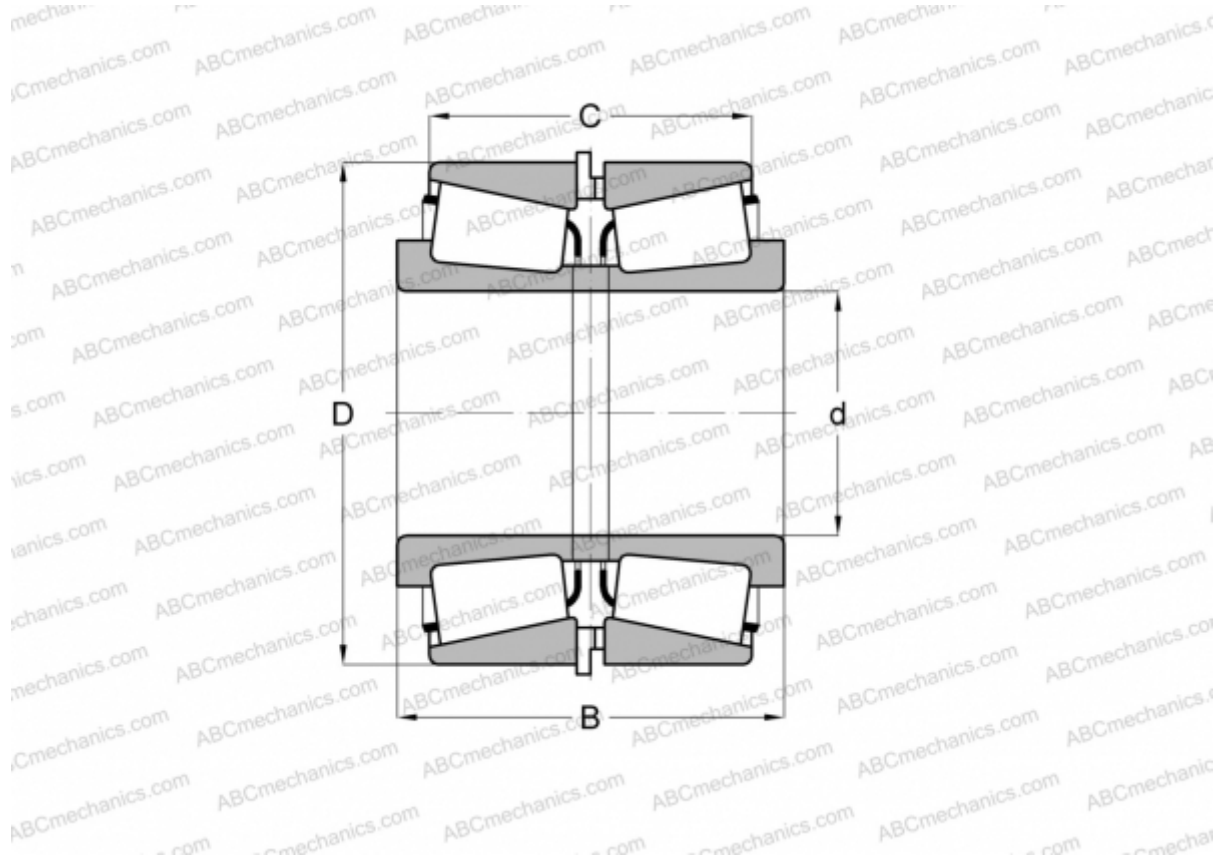


## H936349/H936310 + H936349XC/H936310EG

### TIMKEN

Tapered roller bearings

TYPE: Roller bearings, Tapered, Tapered roller bearing assembly, Type 2TS-IM (X-mounting), two single row bearing with inner and outer distance rings



### Technical specification

#### DIMENSIONS, MM

d	168,275
D	330,200
B	184,150
C	120,650

**WEIGHT, KG** 63,040

**MANUFACTURER** [TIMKEN](#)