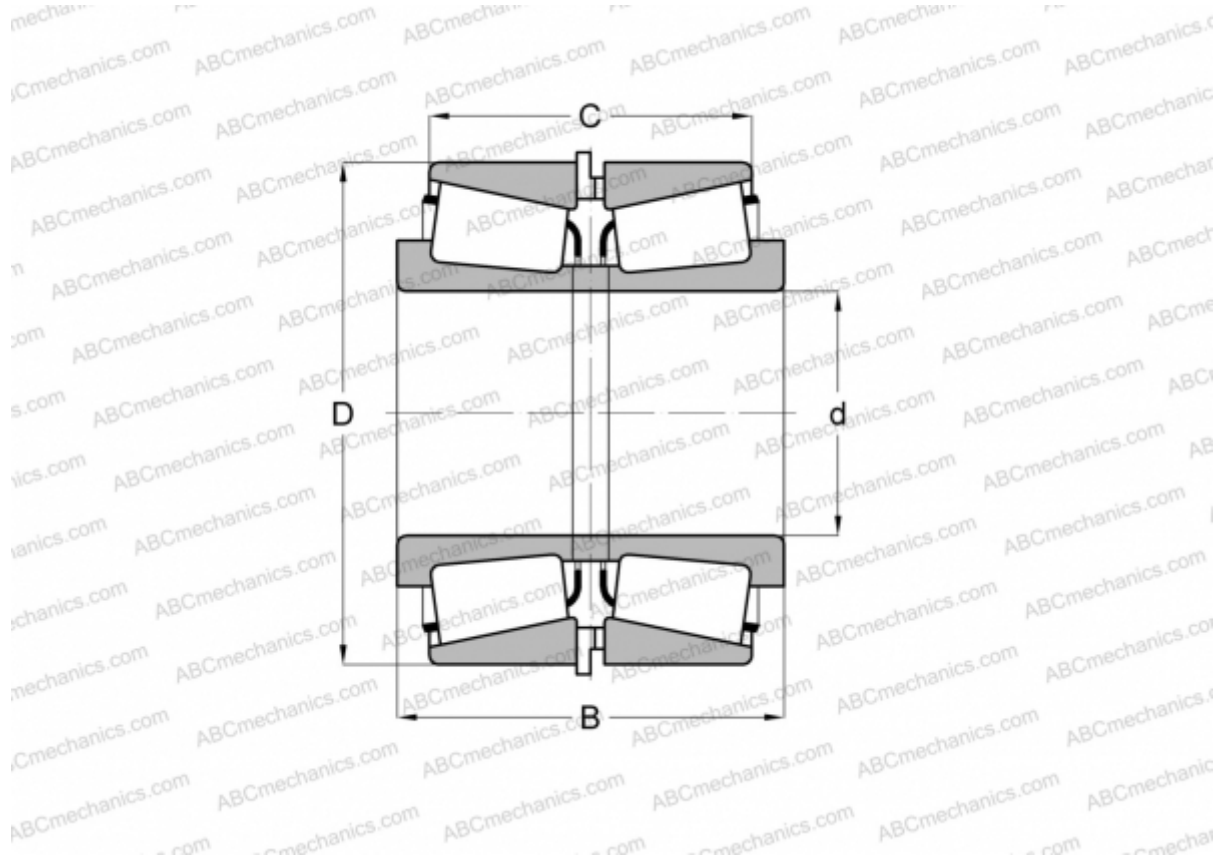


## H936349/H936310 + H936349XS/H936310EC

### TIMKEN

Tapered roller bearings

TYPE: Roller bearings, Tapered, Tapered roller bearing assembly, Type 2TS-IM (X-mounting), two single row bearing with inner and outer distance rings



### Technical specification

#### DIMENSIONS, MM

d	168,275
D	330,200
B	190,500
C	127,000

**WEIGHT, KG** 64,390

**MANUFACTURER** [TIMKEN](#)