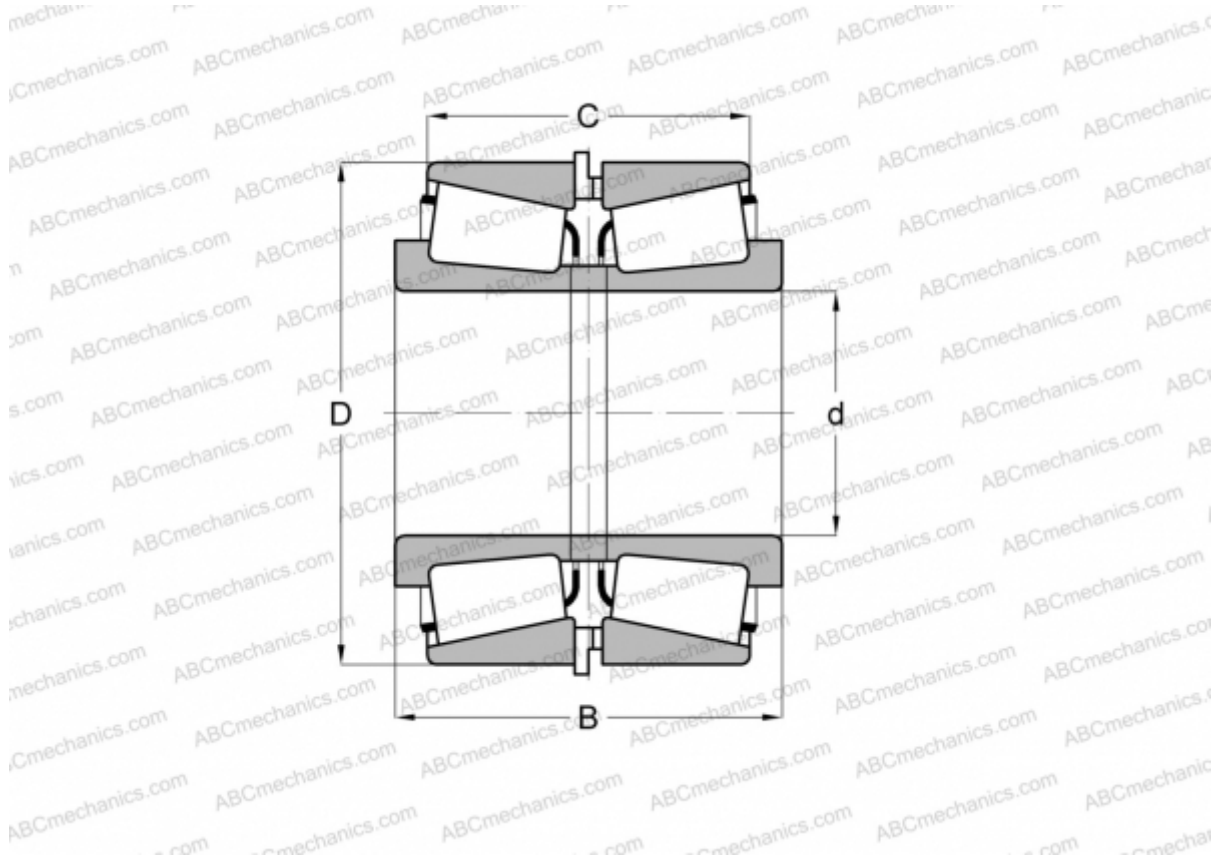


HM535349/HM535310 + HM535349XE/HM535310EX TIMKEN

Tapered roller bearings

TYPE: Roller bearings, Tapered, Tapered roller bearing assembly, Type 2TS-IM (X-mounting), two single row bearing with inner and outer distance rings



Technical specification

DIMENSIONS, MM

d	171,450
D	260,350
B	147,498
C	118,922

WEIGHT, KG 25,960

MANUFACTURER [TIMKEN](#)