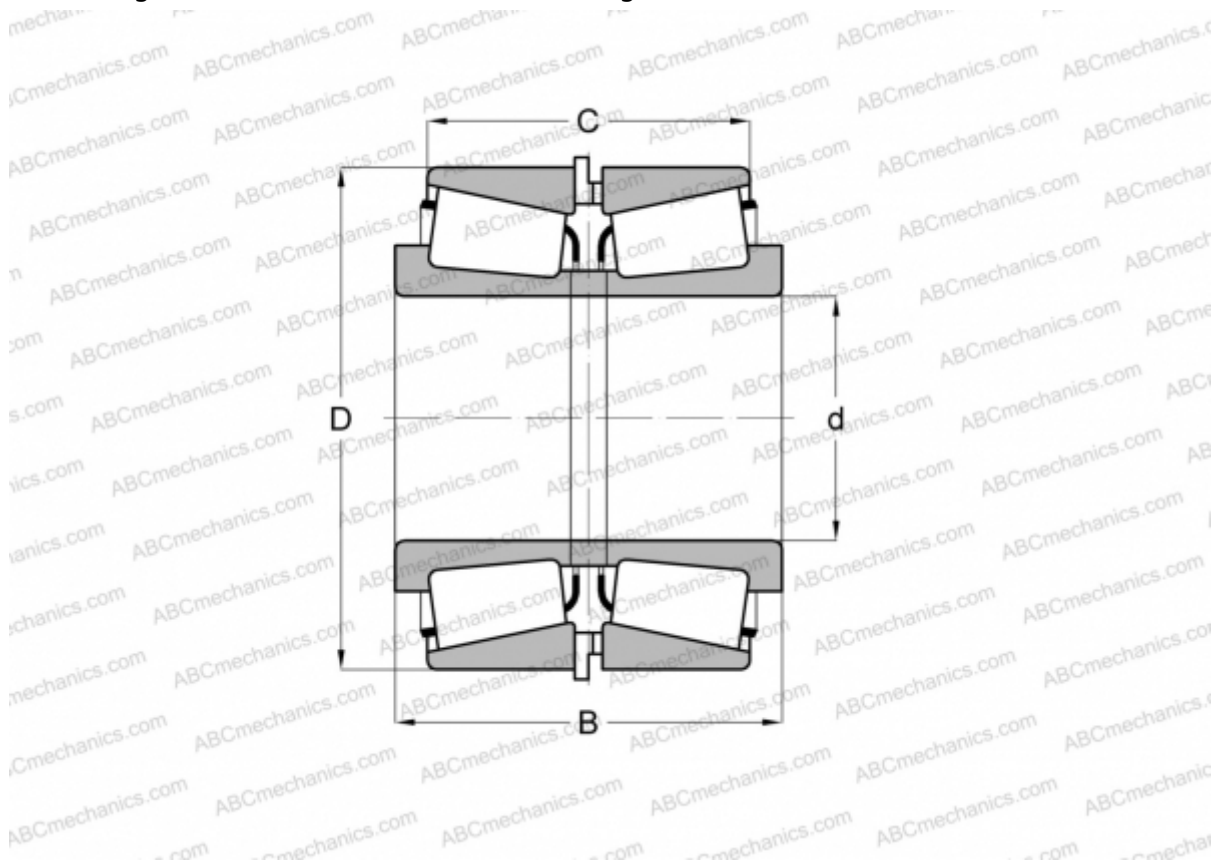


JM241538/JM241511 + M241511EA TIMKEN

Tapered roller bearings

TYPE: Roller bearings, Tapered, Tapered roller bearing assembly, Type 2TS-IM (X-mounting), two single row bearing with inner and outer distance rings



Technical specification

DIMENSIONS, MM

d	189,949
D	290,000
B	138,000
C	107,396

WEIGHT, KG 30,430

MANUFACTURER [TIMKEN](#)