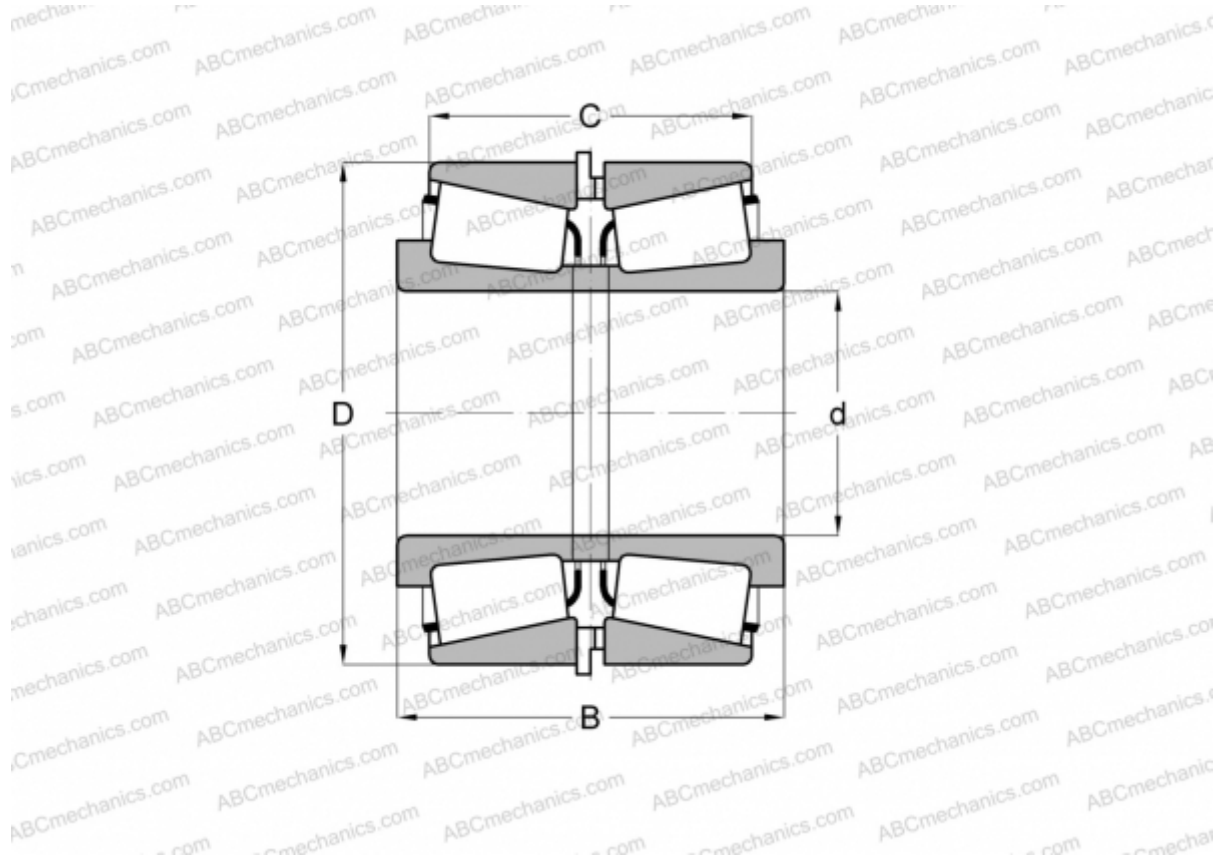


X32038XM/Y32038XM + K161907/K161906

TIMKEN

Tapered roller bearings

TYPE: Roller bearings, Tapered, Tapered roller bearing assembly, Type 2TS-IM (X-mounting), two single row bearing with inner and outer distance rings



Technical specification

DIMENSIONS, MM

d	190,000
D	290,000
B	146,000
C	114,000

WEIGHT, KG 31,160

MANUFACTURER [TIMKEN](#)