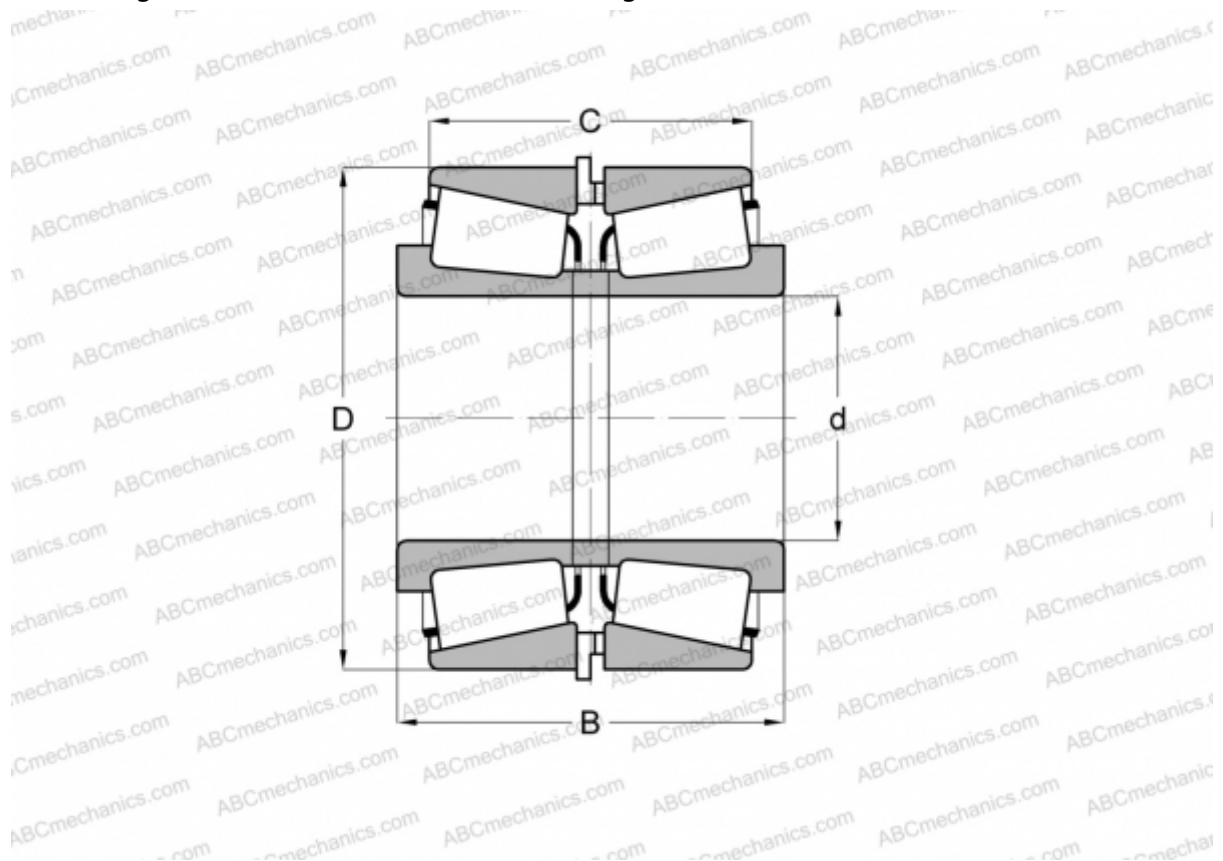


470975/470132 + K161993/K161994 TIMKEN

Tapered roller bearings

TYPE: Roller bearings, Tapered, Tapered roller bearing assembly, Type 2TS-IM (X-mounting), two single row bearing with inner and outer distance rings



Technical specification

DIMENSIONS, MM

d	190,500
D	336,550
B	209,550
C	171,450

WEIGHT, KG 65,050

MANUFACTURER [TIMKEN](#)