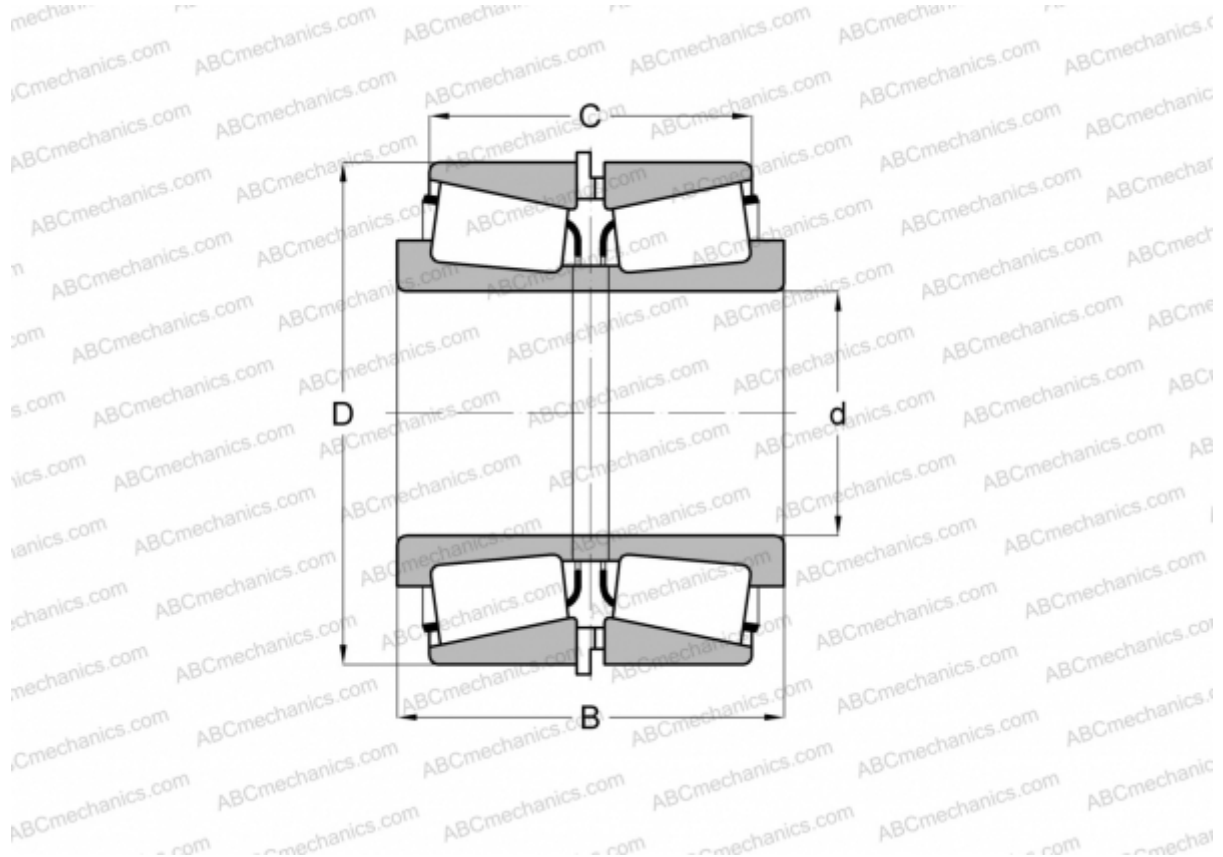


JHM840449/JHM840410 + HM840449XA/HM840410EA TIMKEN

Tapered roller bearings

TYPE: Roller bearings, Tapered, Tapered roller bearing assembly, Type 2TS-IM (X-mounting), two single row bearing with inner and outer distance rings



Technical specification

DIMENSIONS, MM

d	200,000
D	300,000
B	141,000
C	113,000

WEIGHT, KG 32,470

MANUFACTURER [TIMKEN](#)