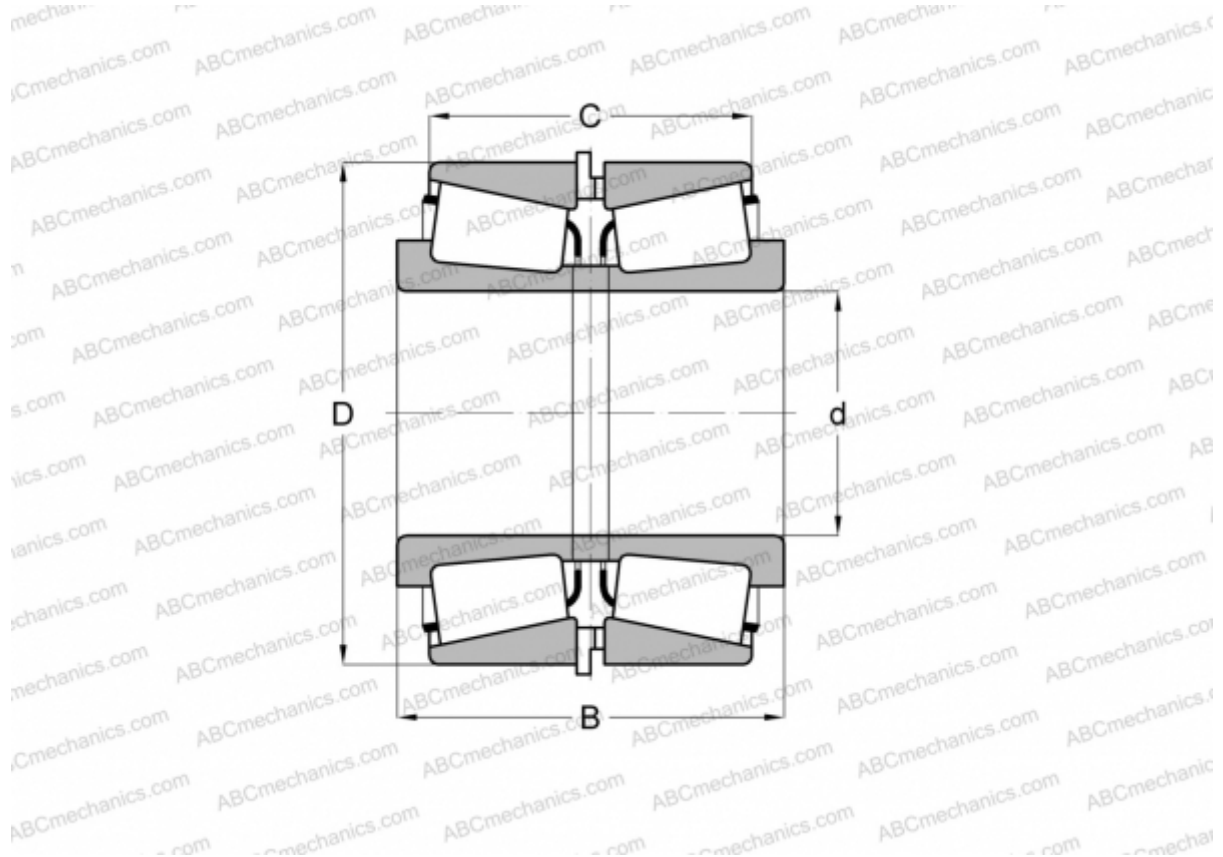


## 67983/67920 + X2S-67983/Y10S-67920

### TIMKEN

Tapered roller bearings

TYPE: Roller bearings, Tapered, Tapered roller bearing assembly, Type 2TS-IM (X-mounting), two single row bearing with inner and outer distance rings



### Technical specification

#### DIMENSIONS, MM

d	203,200
D	282,575
B	101,600
C	82,549

**WEIGHT, KG** 18,490

**MANUFACTURER** [TIMKEN](#)