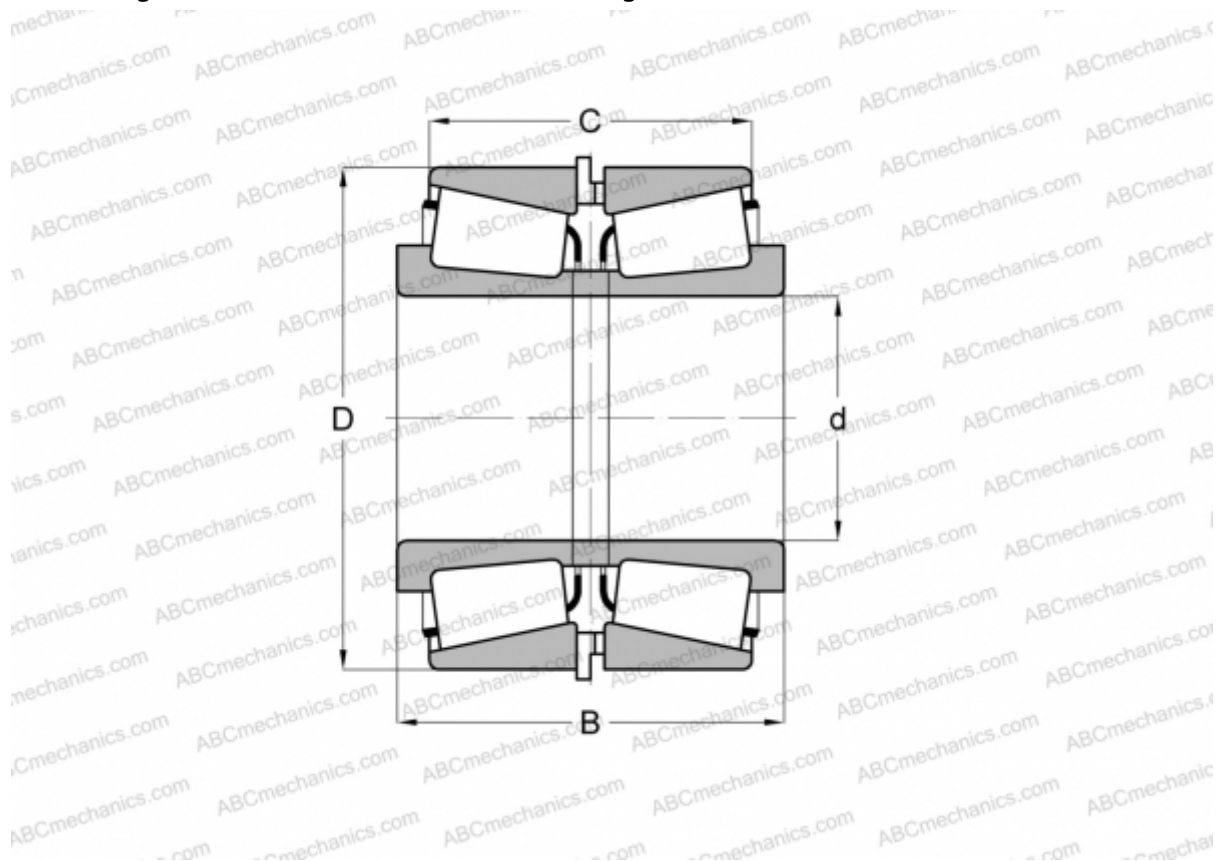


93825/93125 + X1S-93825 TIMKEN

Tapered roller bearings

TYPE: Roller bearings, Tapered, Tapered roller bearing assembly, Type 2TS-IM (X-mounting), two single row bearing with inner and outer distance rings



Technical specification

DIMENSIONS, MM

d	209,550
D	317,500
B	146,050
C	111,125

WEIGHT, KG 34,370

MANUFACTURER [TIMKEN](#)