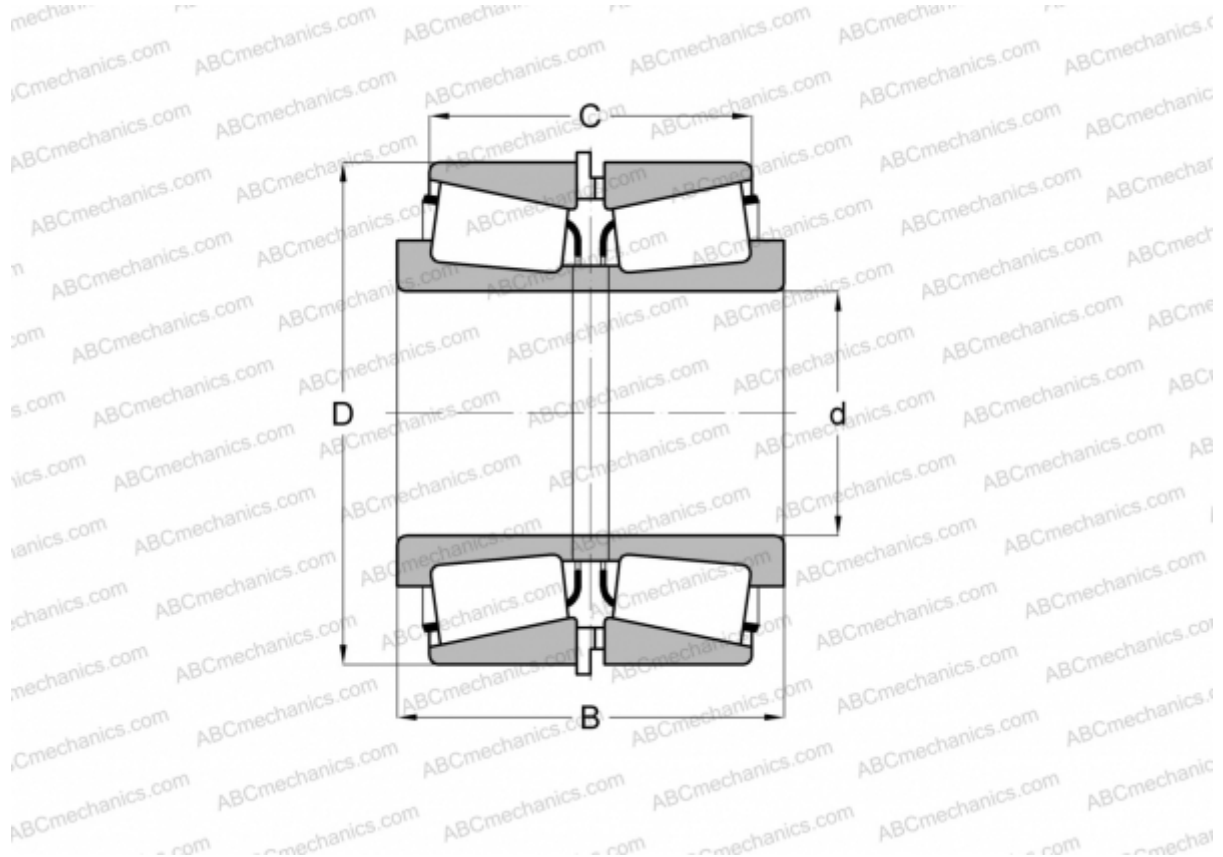


M244249/M244210 + M244249XA/M244210ER TIMKEN

Tapered roller bearings

TYPE: Roller bearings, Tapered, Tapered roller bearing assembly, Type 2TS-IM (X-mounting), two single row bearing with inner and outer distance rings



Technical specification

DIMENSIONS, MM

d	220,662
D	314,325
B	131,762
C	106,362

WEIGHT, KG 29,870

MANUFACTURER [TIMKEN](#)