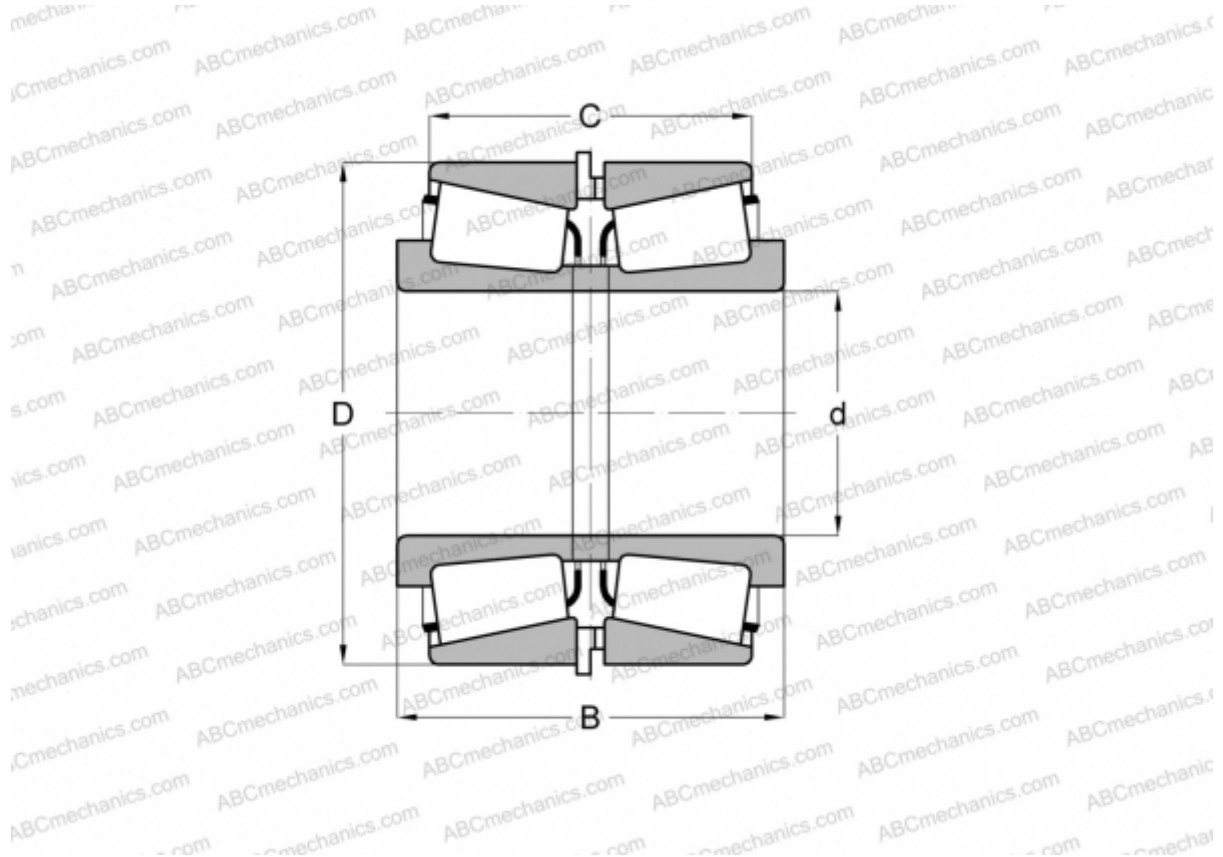


H247549/H247510 + H247549XE/H247510EF

TIMKEN

Tapered roller bearings

TYPE: Roller bearings, Tapered, Tapered roller bearing assembly, Type 2TS-IM (X-mounting), two single row bearing with inner and outer distance rings



Technical specification

DIMENSIONS, MM

d	234,950
D	384,175
B	302,260
C	257,810

WEIGHT, KG 118,220

MANUFACTURER [TIMKEN](#)