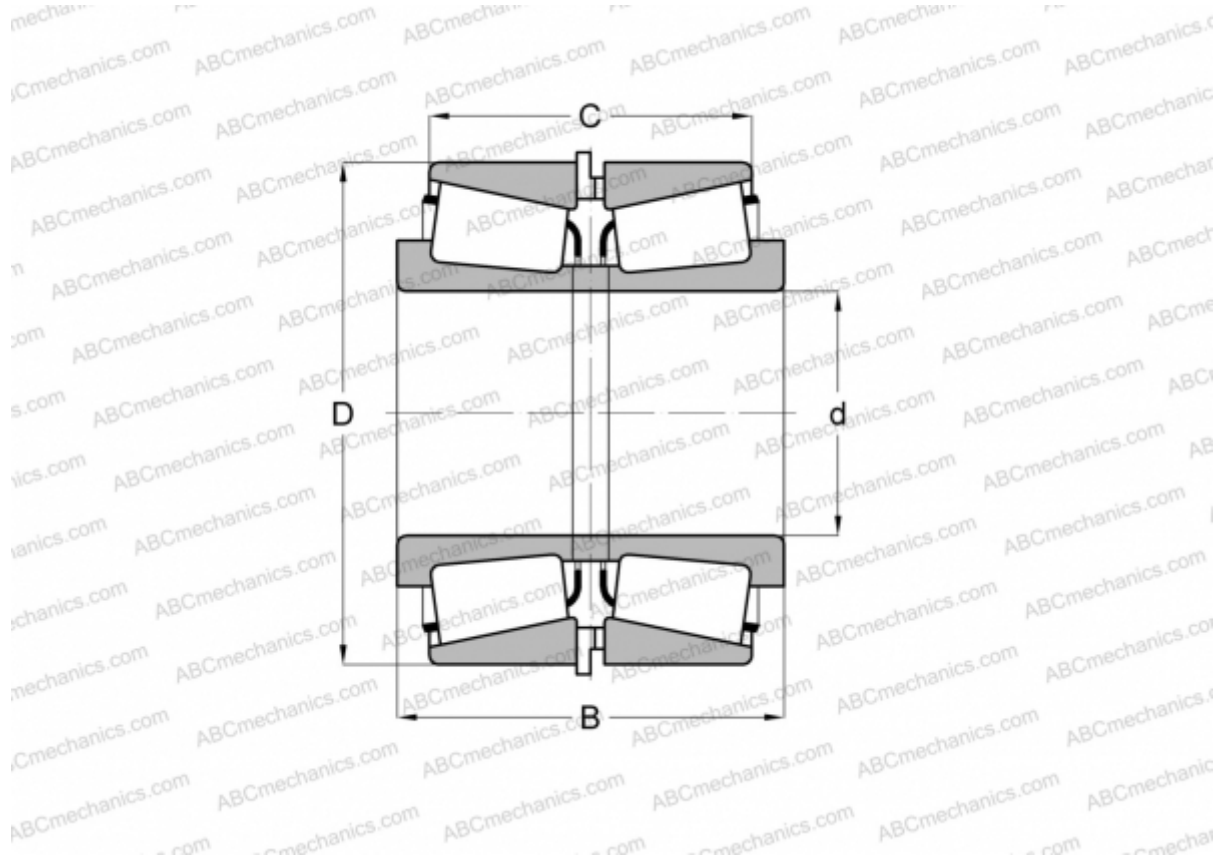


HH249949H/HH249910 + HH249949XA

TIMKEN

Tapered roller bearings

TYPE: Roller bearings, Tapered, Tapered roller bearing assembly, Type 2TS-IM (X-mounting), two single row bearing with inner and outer distance rings



Technical specification

DIMENSIONS, MM

d	247,650
D	406,400
B	247,675
C	203,225

WEIGHT, KG 121,910

MANUFACTURER [TIMKEN](#)