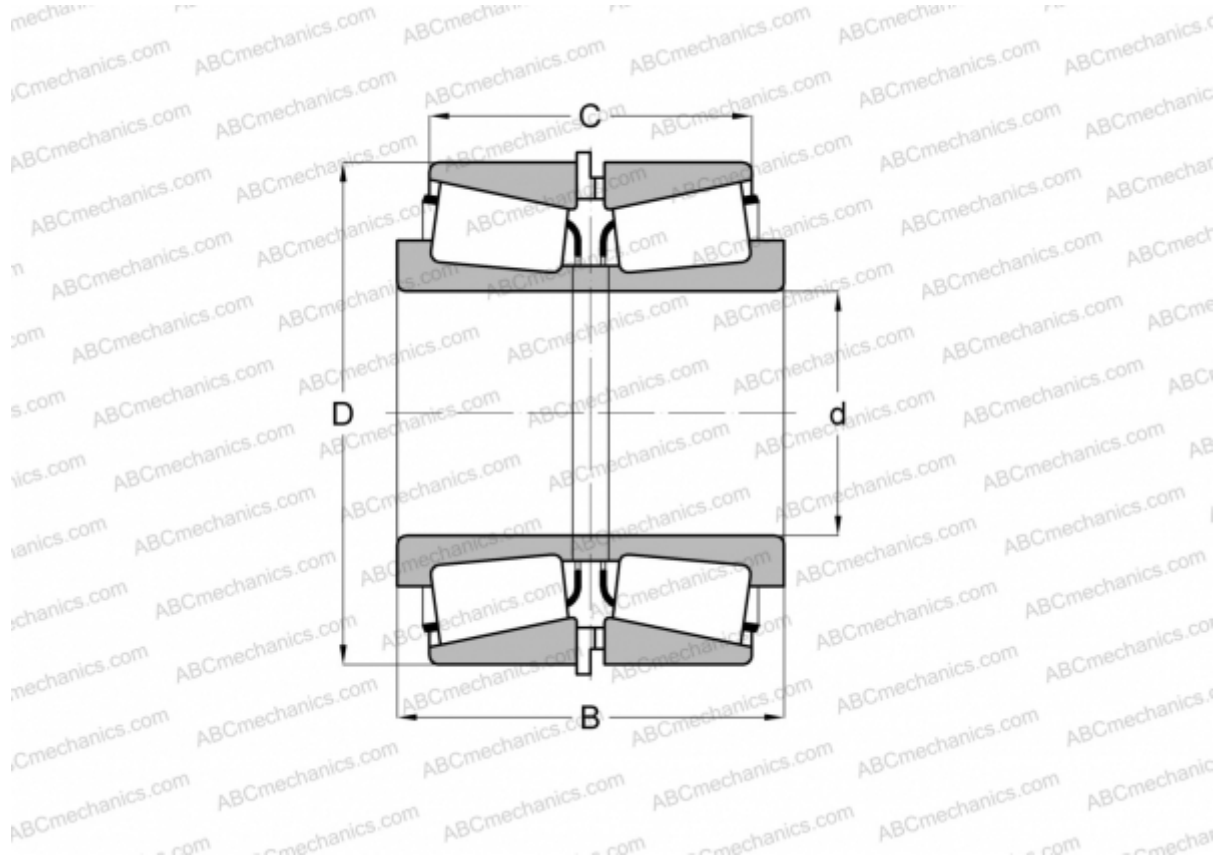


M349549/M349510 + M349549XA/M349510EA TIMKEN

Tapered roller bearings

TYPE: Roller bearings, Tapered, Tapered roller bearing assembly, Type 2TS-IM (X-mounting), two single row bearing with inner and outer distance rings



Technical specification

DIMENSIONS, MM

d	257,175
D	342,900
B	215,900
C	190,500

WEIGHT, KG 43,510

MANUFACTURER [TIMKEN](#)