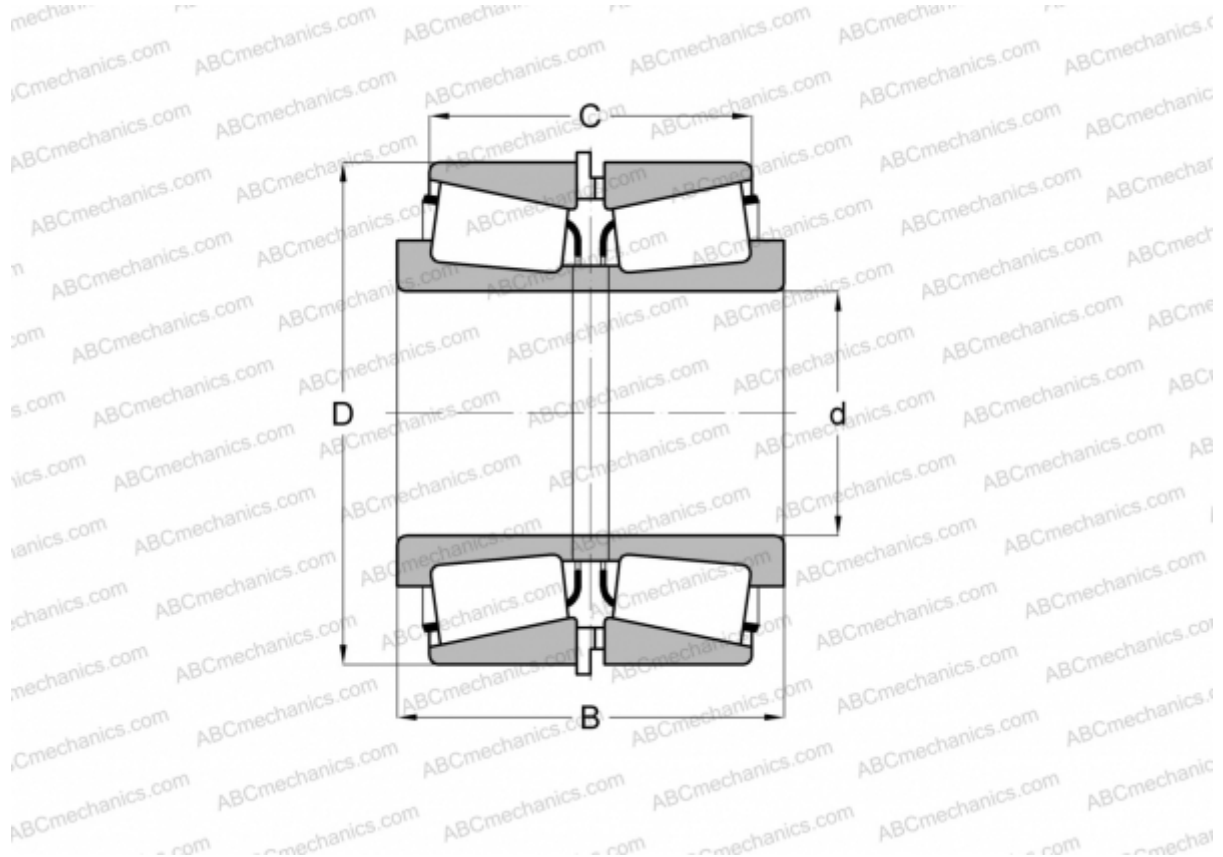


M249747/M249710 + M249749XB/M249710EX TIMKEN

Tapered roller bearings

TYPE: Roller bearings, Tapered, Tapered roller bearing assembly, Type 2TS-IM (X-mounting), two single row bearing with inner and outer distance rings



Technical specification

DIMENSIONS, MM

d	257,175
D	358,775
B	161,926
C	127,000

WEIGHT, KG 43,670

MANUFACTURER [TIMKEN](#)