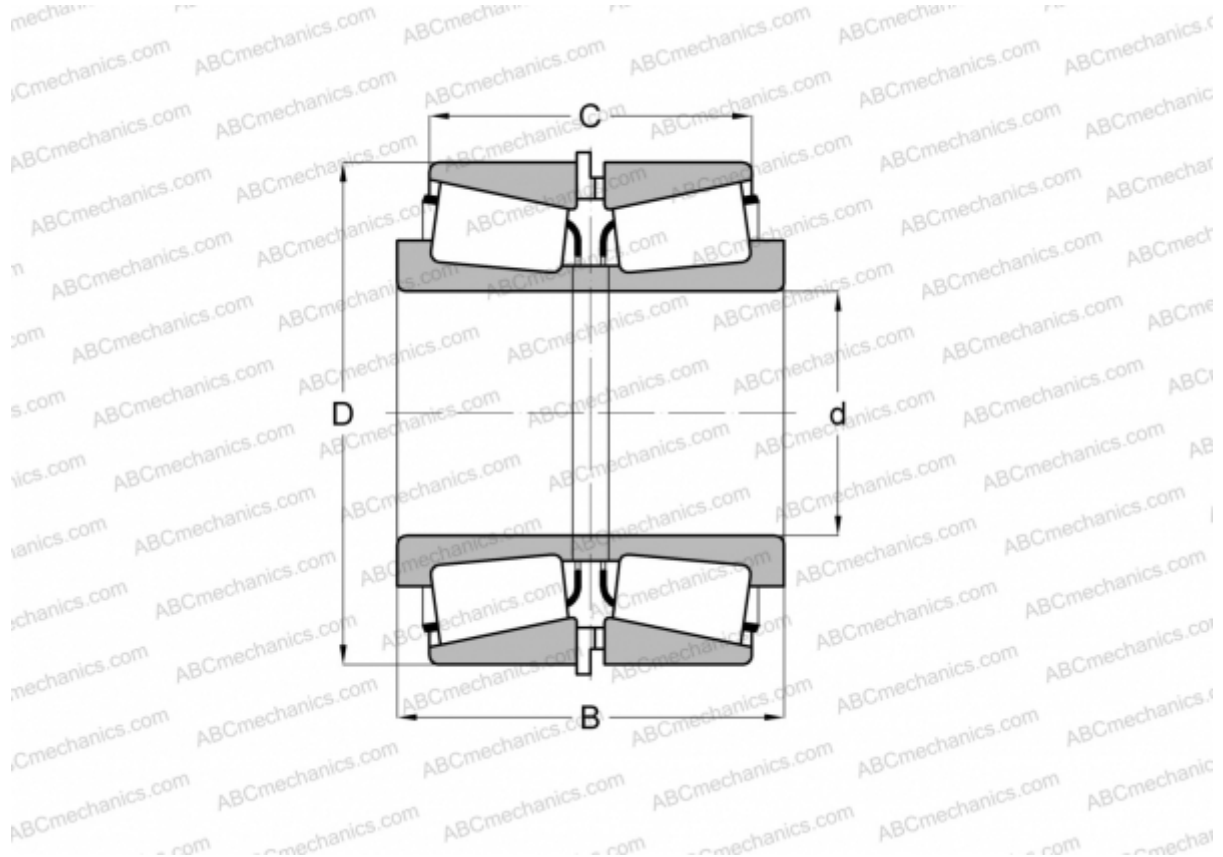


## LM757049/LM757010 + LM757049XC/LM757010EC TIMKEN

Tapered roller bearings

TYPE: Roller bearings, Tapered, Tapered roller bearing assembly, Type 2TS-IM (X-mounting), two single row bearing with inner and outer distance rings



### Technical specification

#### DIMENSIONS, MM

d	304,800
D	406,400
B	159,000
C	127,250

**WEIGHT, KG** 50,930

**MANUFACTURER** [TIMKEN](#)