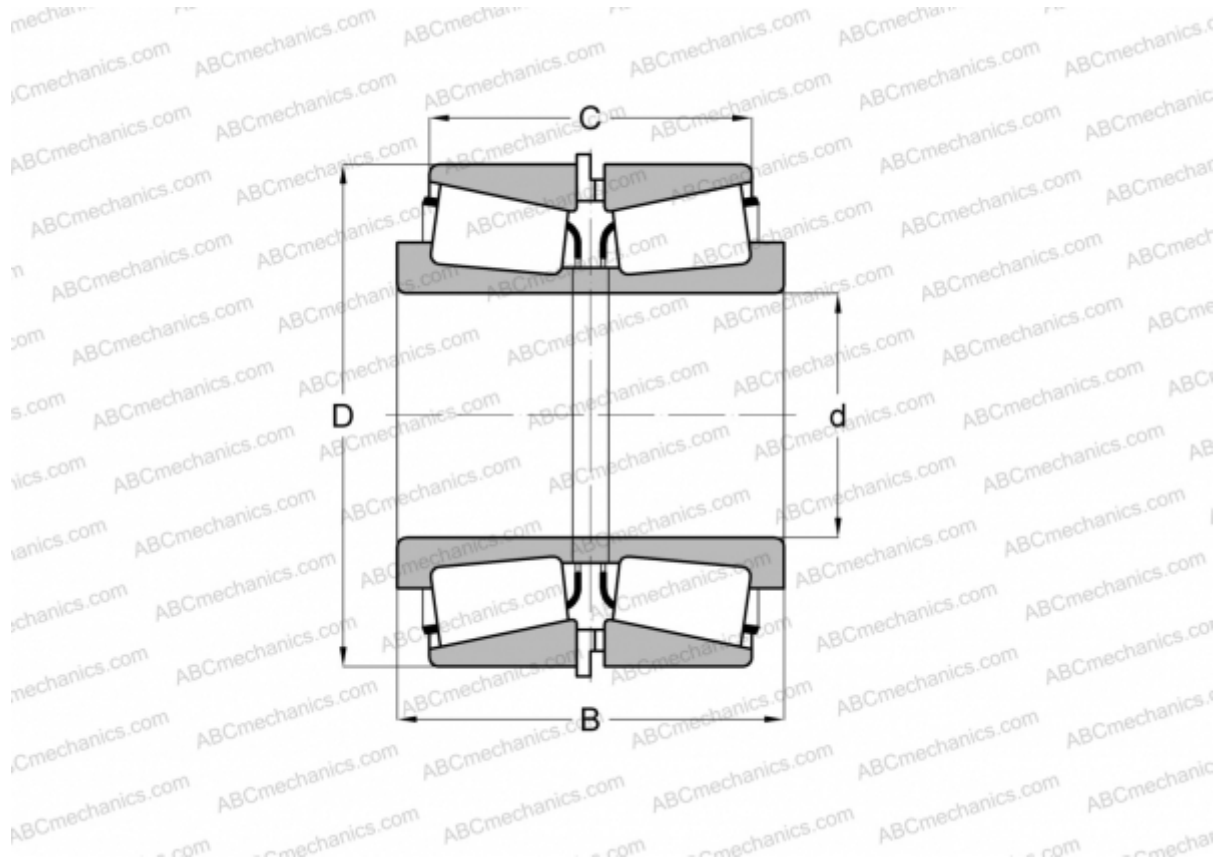


L163149/L163110 + L163149XS/L163110EC

TIMKEN

Tapered roller bearings

TYPE: Roller bearings, Tapered, Tapered roller bearing assembly, Type 2TS-IM (X-mounting), two single row bearing with inner and outer distance rings



Technical specification

DIMENSIONS, MM

d	355,600
D	444,500
B	127,000
C	101,600

WEIGHT, KG 42,900

MANUFACTURER [TIMKEN](#)