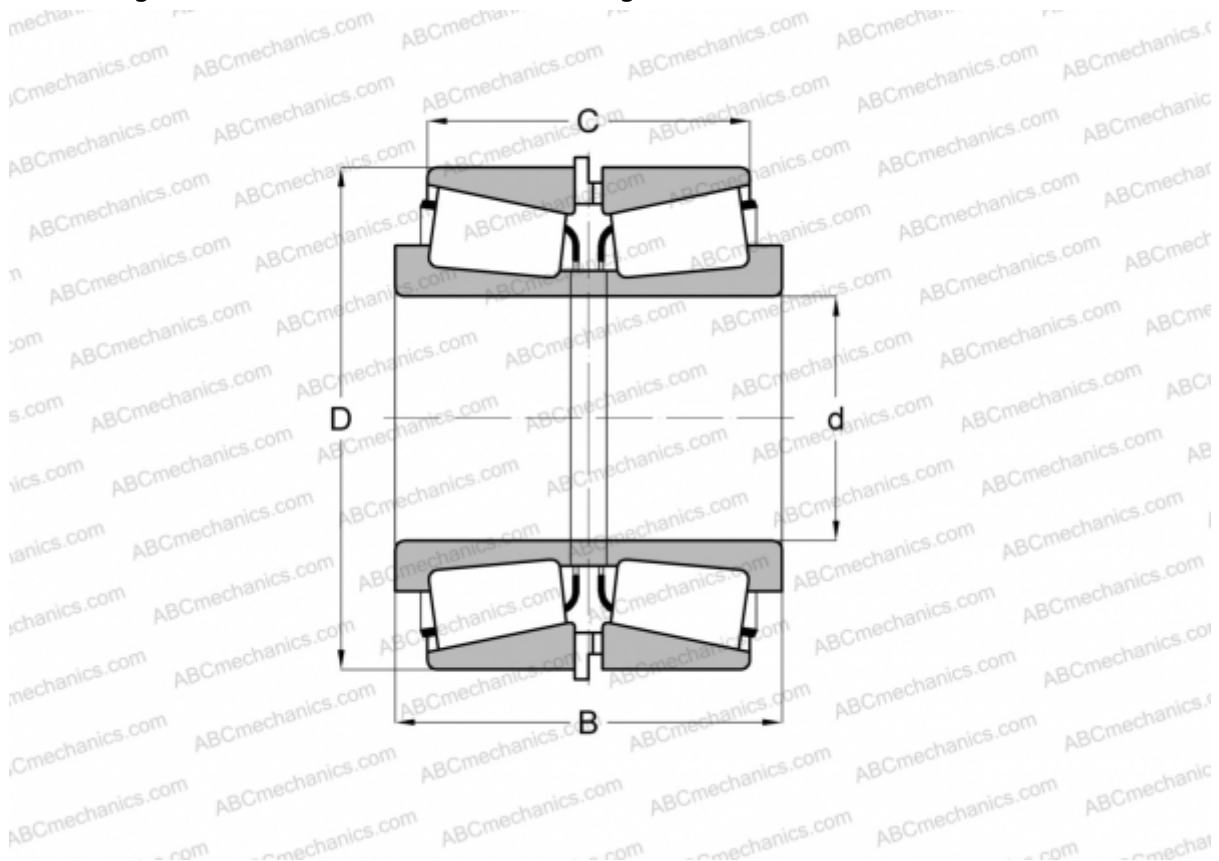


L467549/L467510 + K164387 TIMKEN

Tapered roller bearings

TYPE: Roller bearings, Tapered, Tapered roller bearing assembly, Type 2TS-IM (X-mounting), two single row bearing with inner and outer distance rings



Technical specification

DIMENSIONS, MM

d	406,400
D	508,000
B	174,884
C	146,309

WEIGHT, KG 58,690

MANUFACTURER [TIMKEN](#)