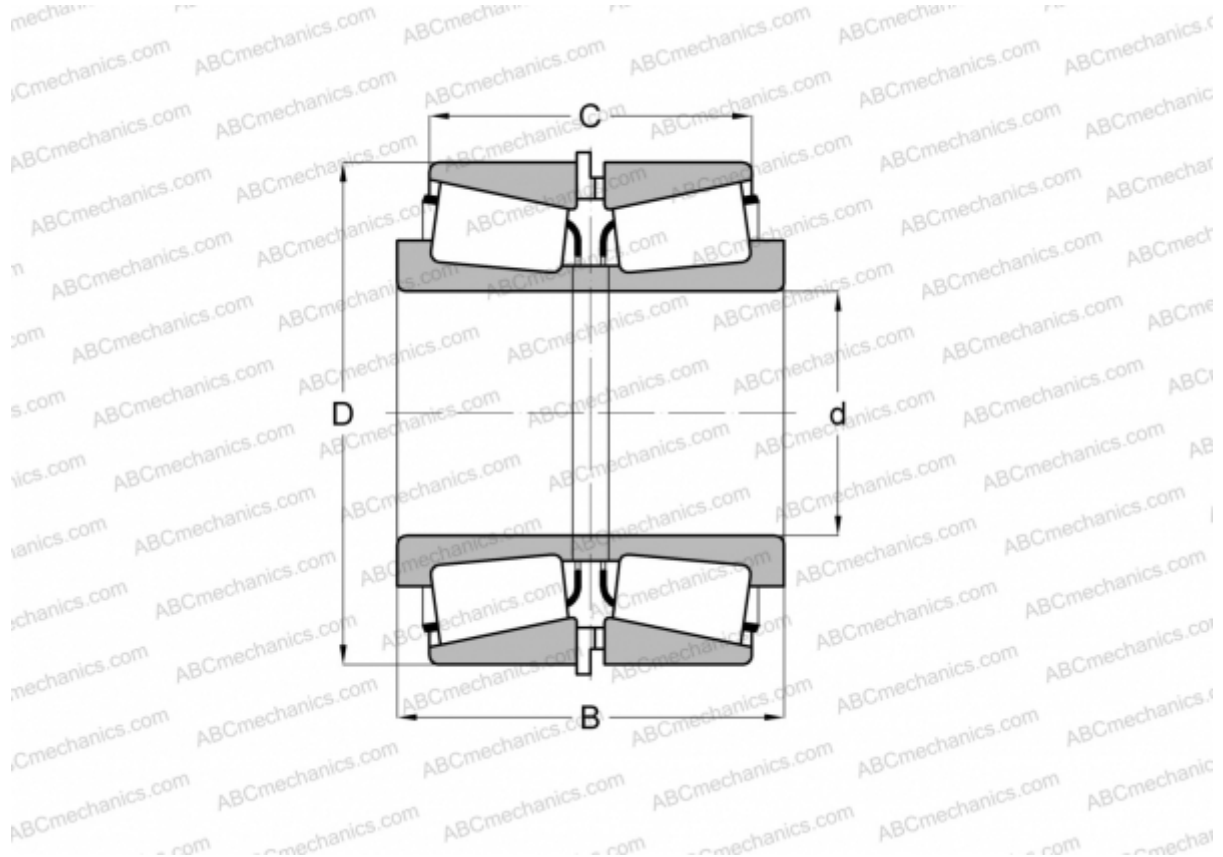


## LL771948/LL771911 + LL771948XB/LL771911EC TIMKEN

Tapered roller bearings

TYPE: Roller bearings, Tapered, Tapered roller bearing assembly, Type 2TS-IM (X-mounting), two single row bearing with inner and outer distance rings



### Technical specification

#### DIMENSIONS, MM

d	476,250
D	565,150
B	95,250
C	76,200

**WEIGHT, KG** 42,740

**MANUFACTURER** [TIMKEN](#)