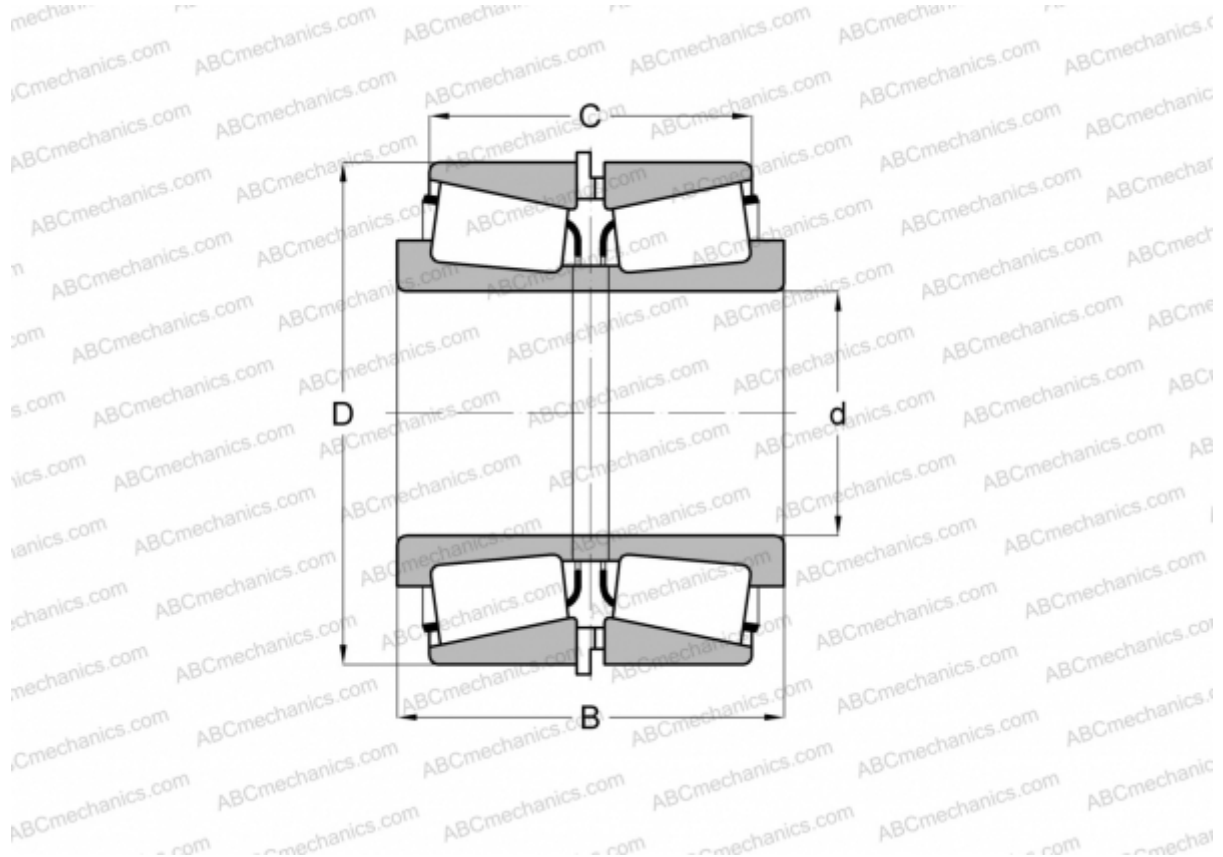


LL771948/LL771911 + LL771948XA/LL771911EB TIMKEN

Tapered roller bearings

TYPE: Roller bearings, Tapered, Tapered roller bearing assembly, Type 2TS-IM (X-mounting), two single row bearing with inner and outer distance rings



Technical specification

DIMENSIONS, MM

d	476,250
D	565,150
B	127,000
C	107,950

WEIGHT, KG 51,170

MANUFACTURER [TIMKEN](#)