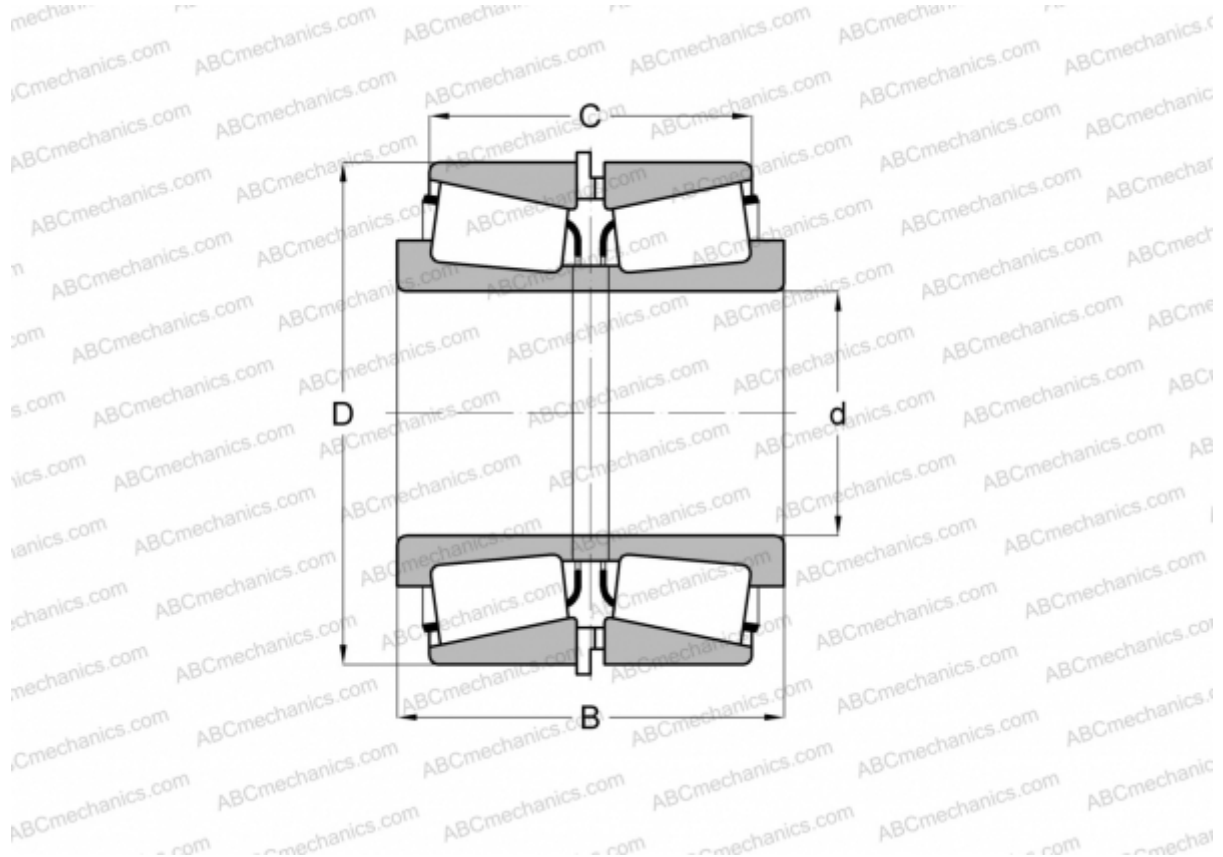


## LL483449/LL483418 + LL483449XA/LL483418EA TIMKEN

Tapered roller bearings

TYPE: Roller bearings, Tapered, Tapered roller bearing assembly, Type 2TS-IM (X-mounting), two single row bearing with inner and outer distance rings



### Technical specification

#### DIMENSIONS, MM

d	762,000
D	889,000
B	158,100
C	120,000

**WEIGHT, KG** 146,640

**MANUFACTURER** [TIMKEN](#)