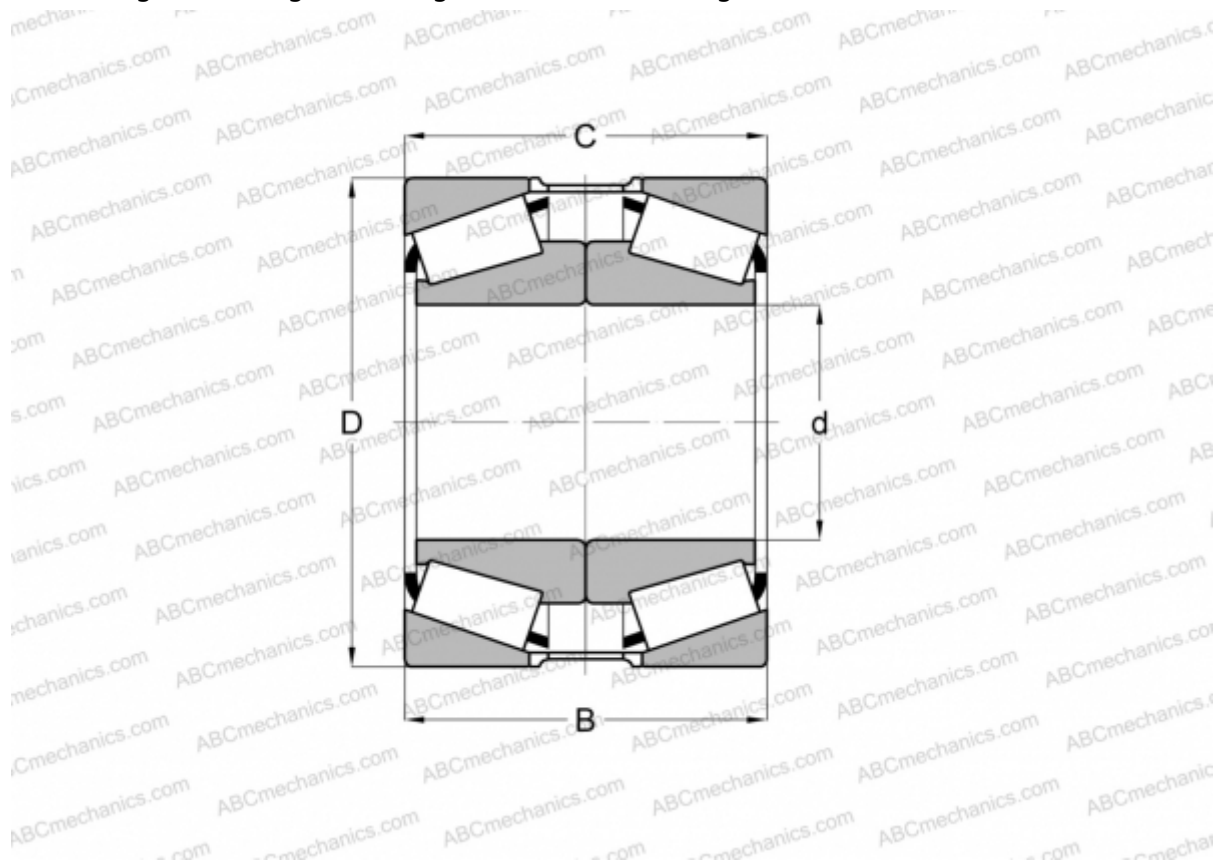


LM48548/LM48510 + LM48510EE TIMKEN

Tapered roller bearings

TYPE: Roller bearings, Tapered, Tapered roller bearing assembly, Type 2TS-DM (O-mounting), two single row bearing, mounting inner ring, outer distance ring



Technical specification

DIMENSIONS, MM

d	34,925
D	65,088
B	36,576
T	36,068

WEIGHT, KG 0,520

MANUFACTURER [TIMKEN](#)