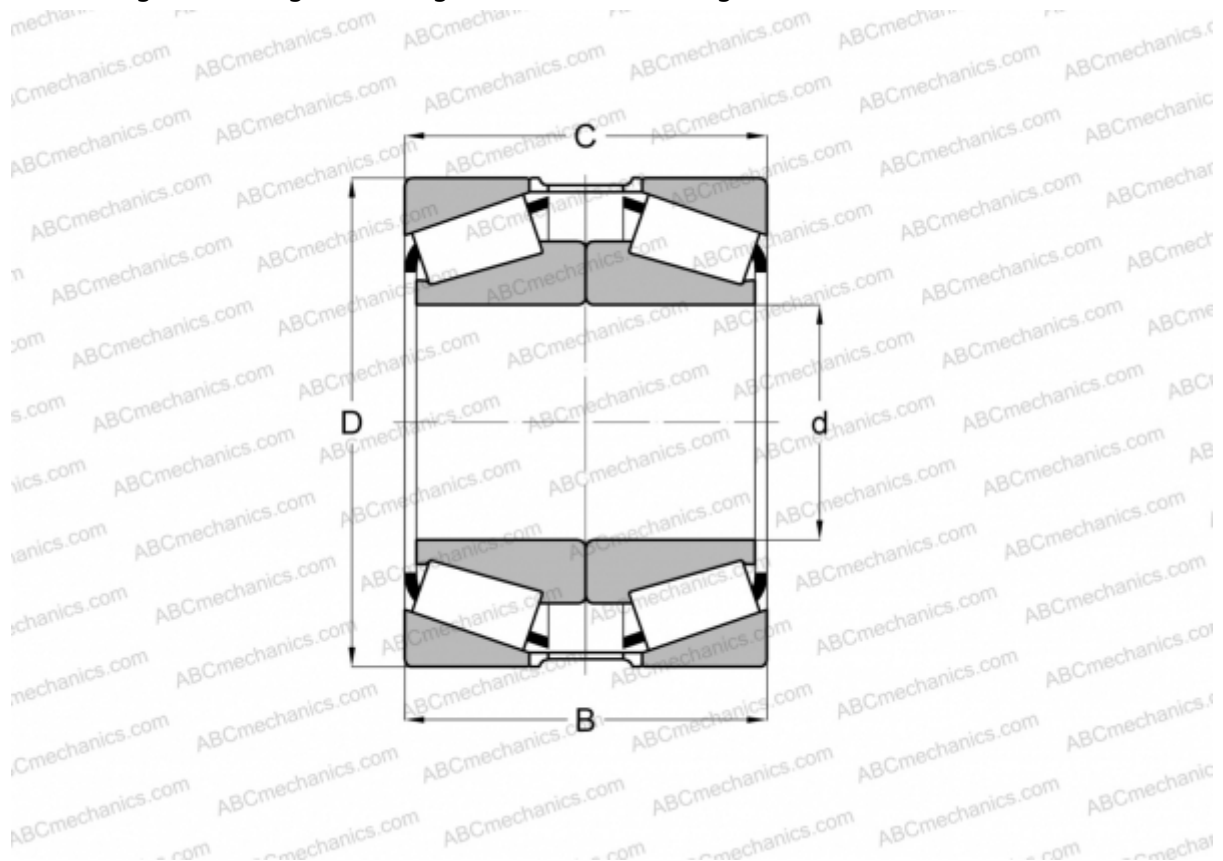


387A/382A + Y1S-382A TIMKEN

Tapered roller bearings

TYPE: Roller bearings, Tapered, Tapered roller bearing assembly, Type 2TS-DM (O-mounting), two single row bearing, mounting inner ring, outer distance ring



Technical specification

DIMENSIONS, MM

d	57,150
D	96,838
B	43,892
T	42,001

WEIGHT, KG 1,240

MANUFACTURER [TIMKEN](#)