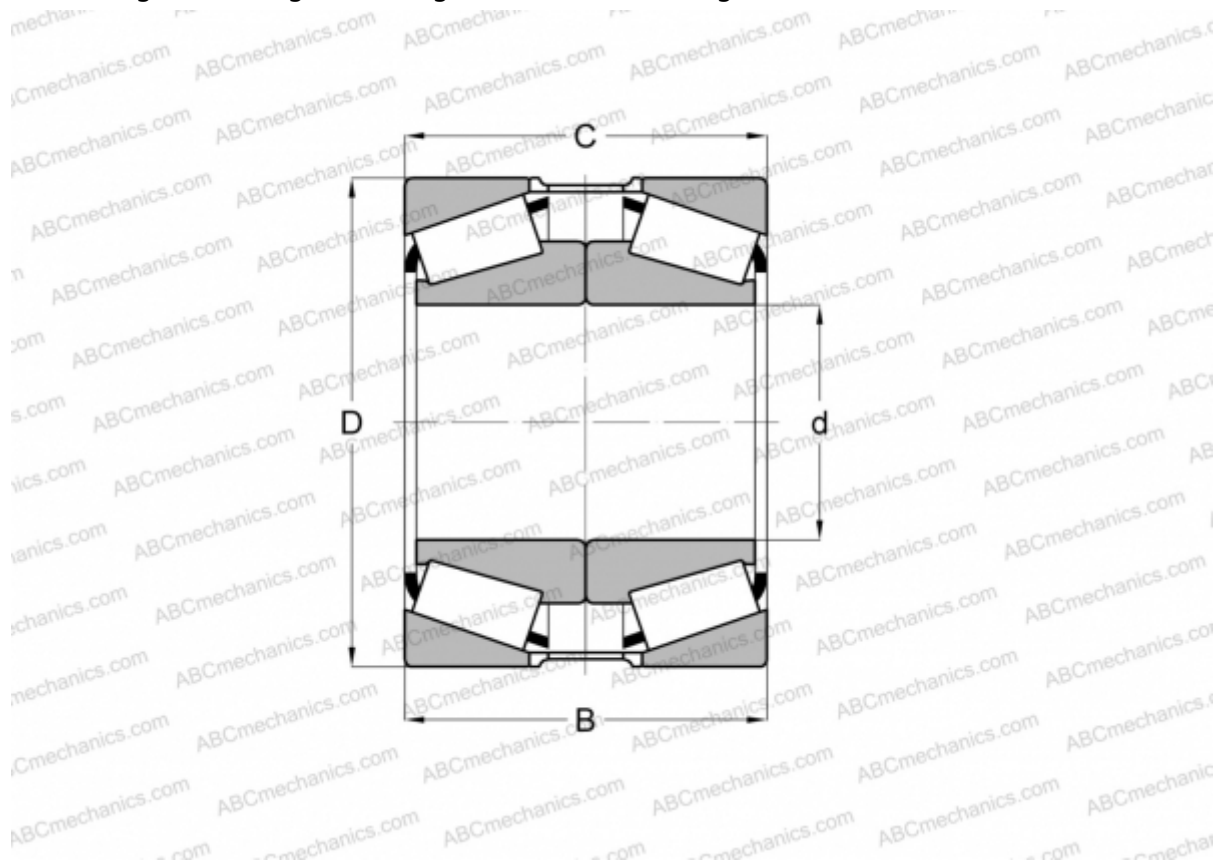


JLM710949C/JLM710910 + JY10511-Q TIMKEN

Tapered roller bearings

TYPE: Roller bearings, Tapered, Tapered roller bearing assembly, Type 2TS-DM (O-mounting), two single row bearing, mounting inner ring, outer distance ring



Technical specification

DIMENSIONS, MM

d	65,000
D	105,000
B	46,000
T	48,000

WEIGHT, KG 1,580

MANUFACTURER [TIMKEN](#)