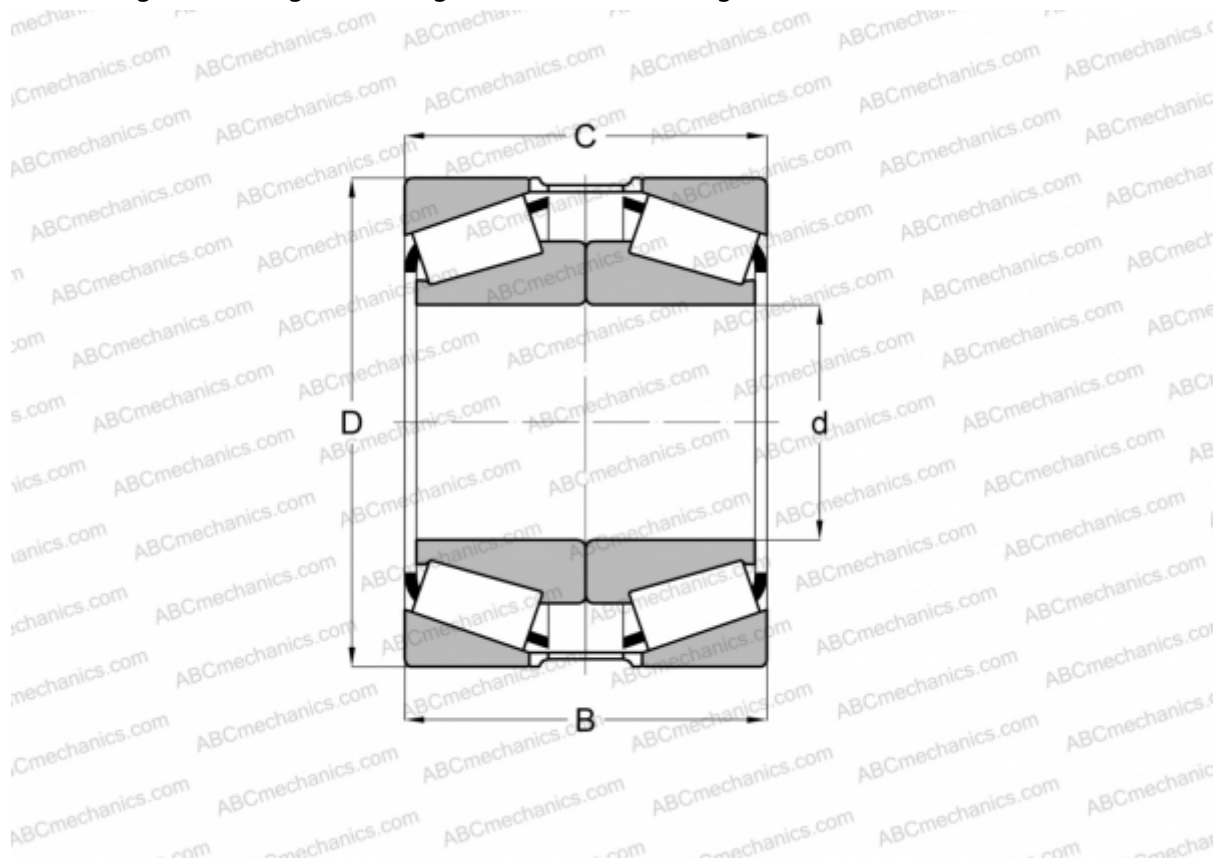


HH914449/HH914412 + HH914412EA TIMKEN

Tapered roller bearings

TYPE: Roller bearings, Tapered, Tapered roller bearing assembly, Type 2TS-DM (O-mounting), two single row bearing, mounting inner ring, outer distance ring



Technical specification

DIMENSIONS, MM

d	66,675
D	177,800
B	107,950
T	114,300

WEIGHT, KG 14,540

MANUFACTURER [TIMKEN](#)