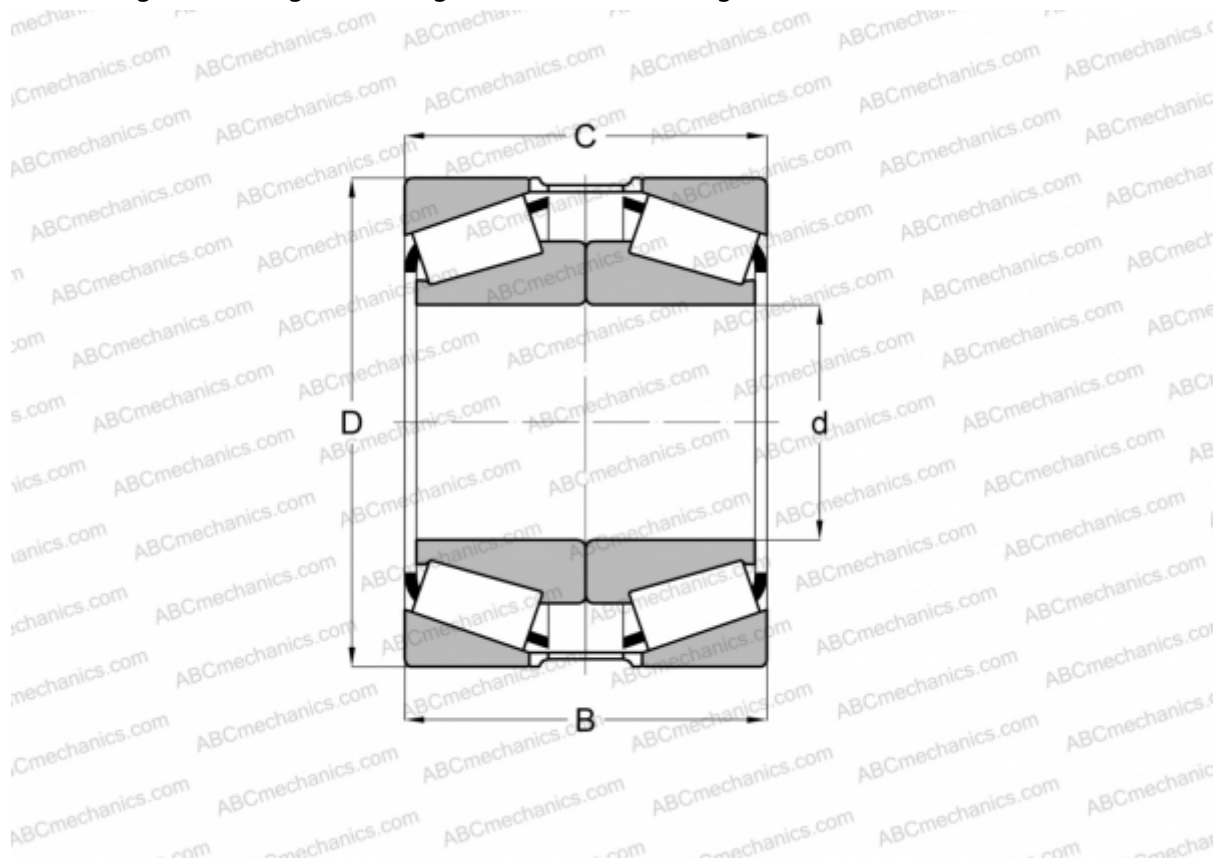


H414249/H414210 + H414210EA TIMKEN

Tapered roller bearings

TYPE: Roller bearings, Tapered, Tapered roller bearing assembly, Type 2TS-DM (O-mounting), two single row bearing, mounting inner ring, outer distance ring



Technical specification

DIMENSIONS, MM

d	71,437
D	136,525
B	82,550
T	82,550

WEIGHT, KG 5,260

MANUFACTURER [TIMKEN](#)