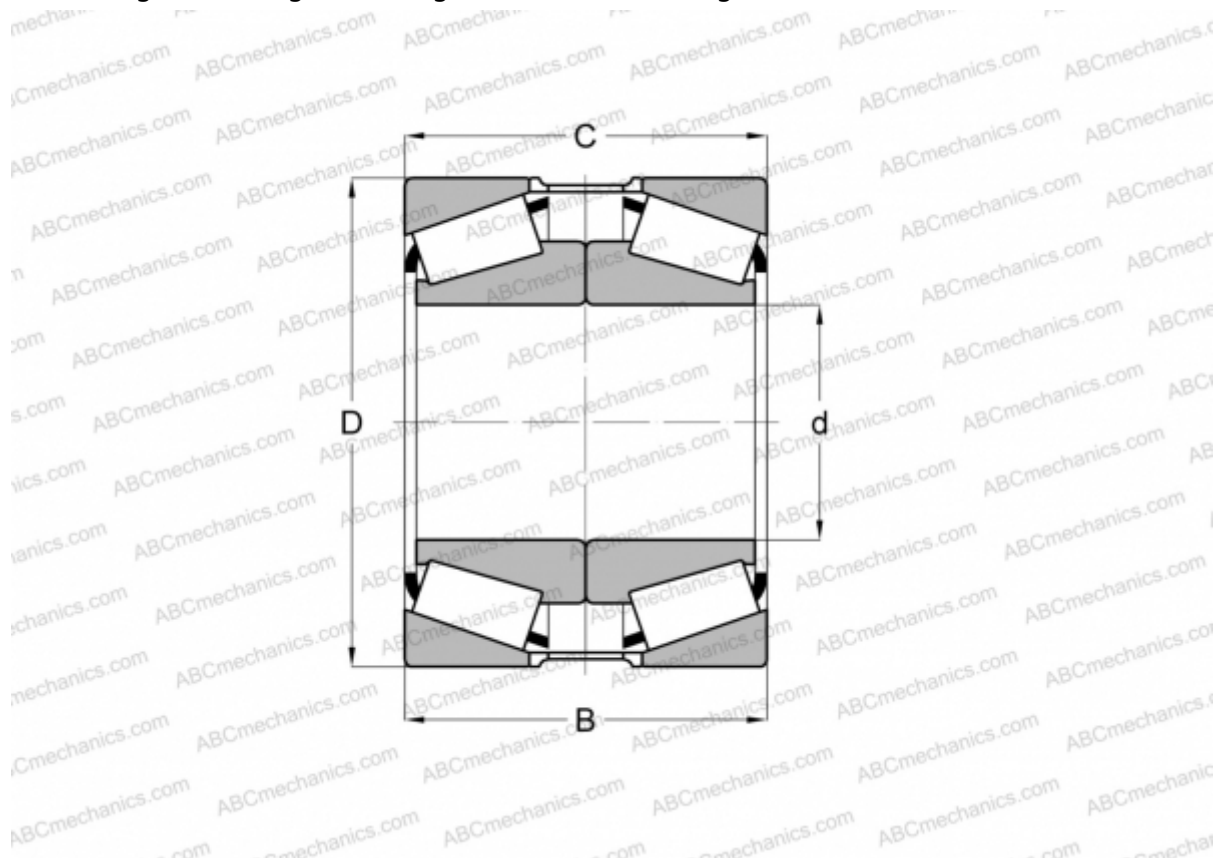


## X33115/Y33115 + K161389 TIMKEN

Tapered roller bearings

TYPE: Roller bearings, Tapered, Tapered roller bearing assembly, Type 2TS-DM (O-mounting), two single row bearing, mounting inner ring, outer distance ring



### Technical specification

#### DIMENSIONS, MM

|   |         |
|---|---------|
| d | 75,000  |
| D | 125,000 |
| B | 74,000  |
| T | 74,000  |

**WEIGHT, KG** 3,610

**MANUFACTURER** [TIMKEN](#)