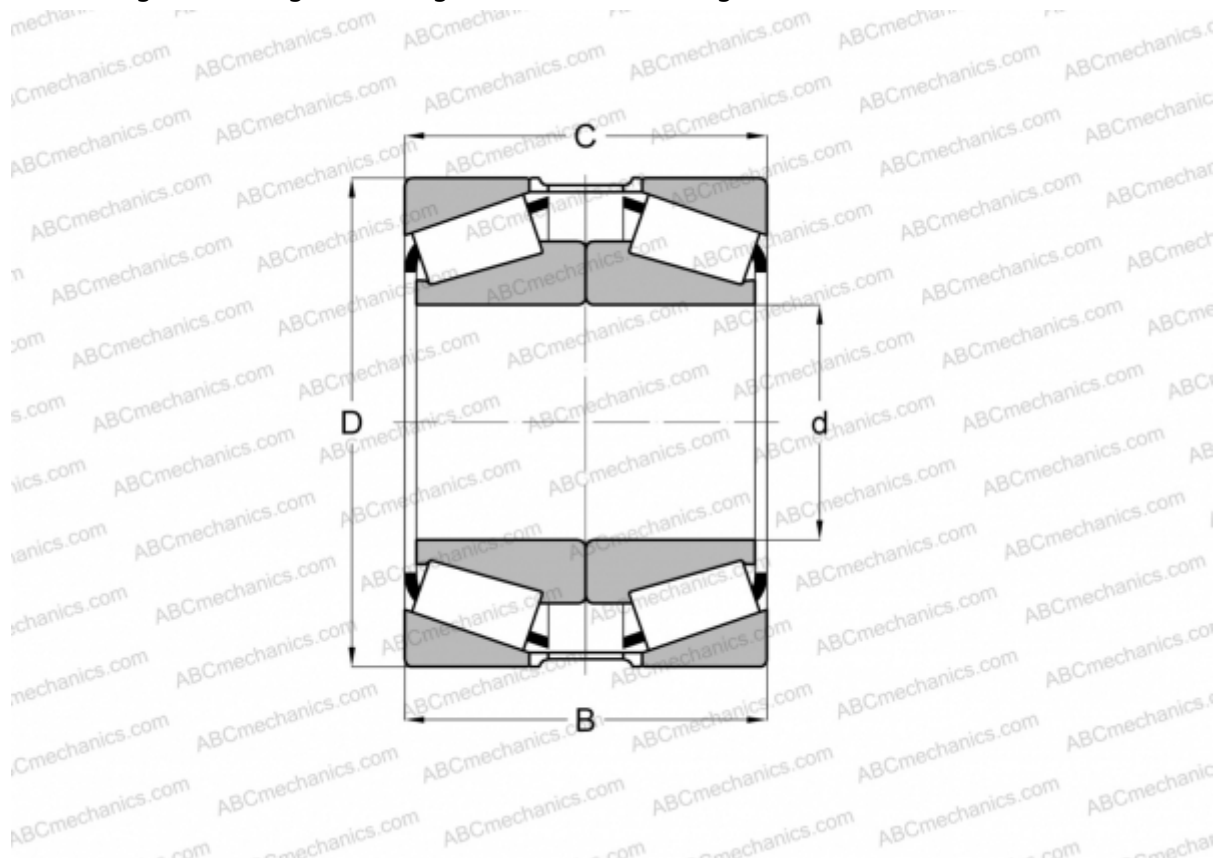


6559C/6536 + Y2S-6535 TIMKEN

Tapered roller bearings

TYPE: Roller bearings, Tapered, Tapered roller bearing assembly, Type 2TS-DM (O-mounting), two single row bearing, mounting inner ring, outer distance ring



Technical specification

DIMENSIONS, MM

d	82,550
D	161,925
B	110,200
T	107,950

WEIGHT, KG 10,450

MANUFACTURER [TIMKEN](#)