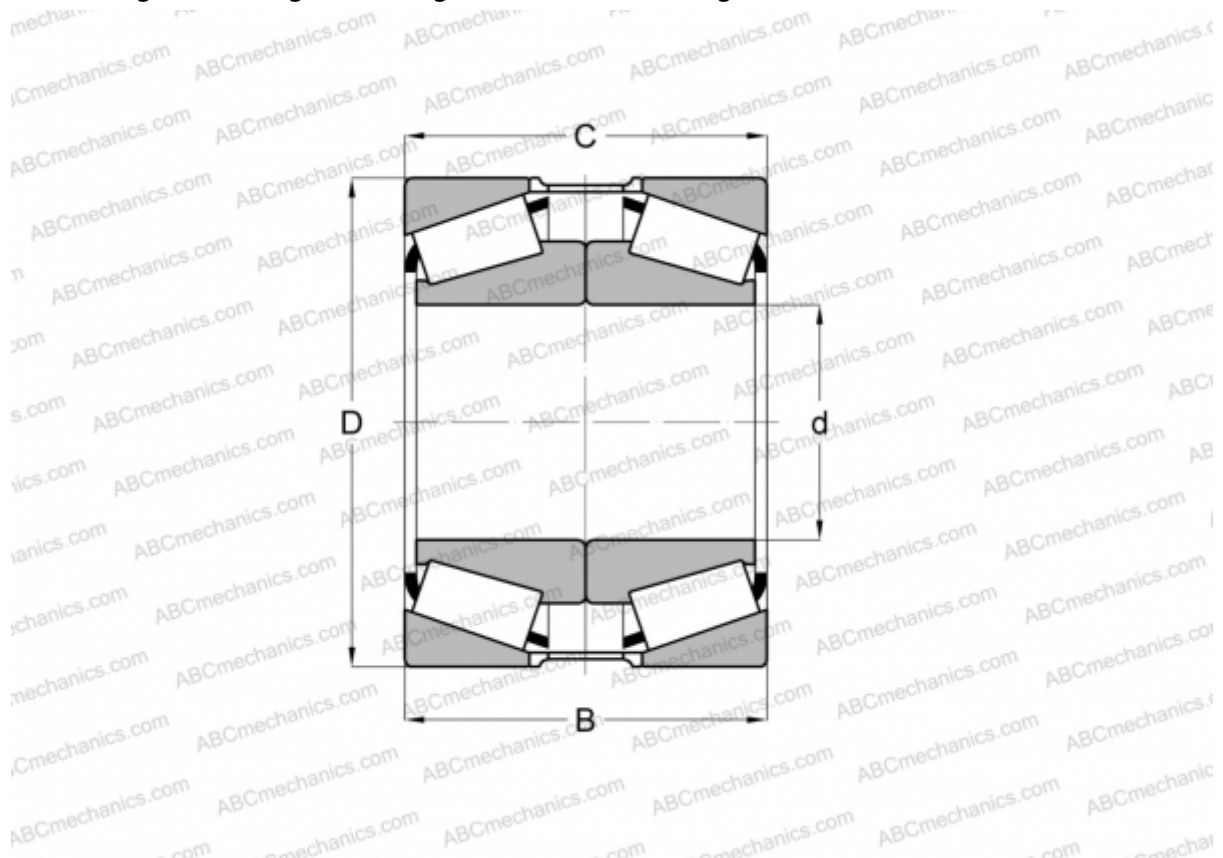


9386H/9321 + Y9S-9321 TIMKEN

Tapered roller bearings

TYPE: Roller bearings, Tapered, Tapered roller bearing assembly, Type 2TS-DM (O-mounting), two single row bearing, mounting inner ring, outer distance ring



Technical specification

DIMENSIONS, MM

d	84,138
D	171,450
B	92,076
T	98,425

WEIGHT, KG 9,830

MANUFACTURER [TIMKEN](#)