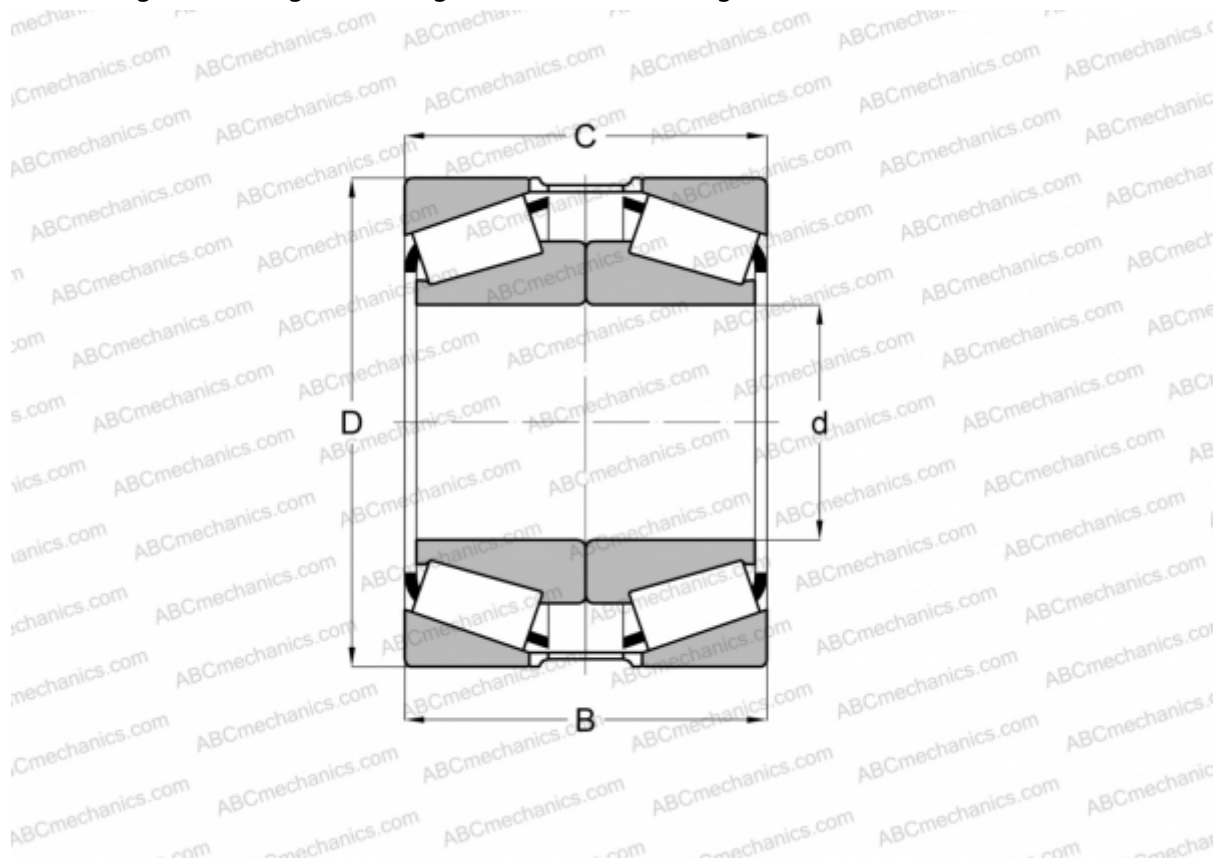


## 594/592XS + Y1S-592XS TIMKEN

Tapered roller bearings

TYPE: Roller bearings, Tapered, Tapered roller bearing assembly, Type 2TS-DM (O-mounting), two single row bearing, mounting inner ring, outer distance ring



### Technical specification

#### DIMENSIONS, MM

d	95,250
D	147,638
B	72,644
T	71,435

**WEIGHT, KG** 4,310

**MANUFACTURER** [TIMKEN](#)