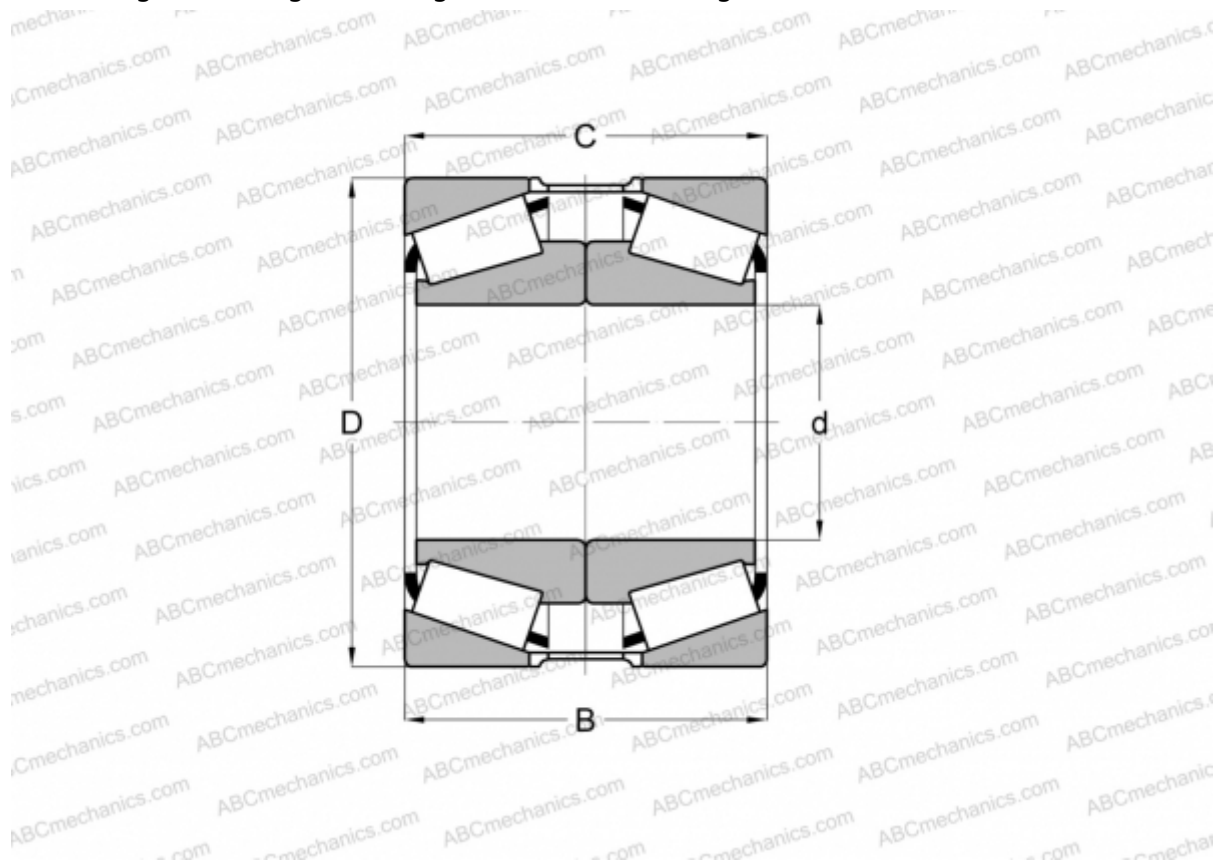


JM720249/JM720210 + M720210EB TIMKEN

Tapered roller bearings

TYPE: Roller bearings, Tapered, Tapered roller bearing assembly, Type 2TS-DM (O-mounting), two single row bearing, mounting inner ring, outer distance ring



Technical specification

DIMENSIONS, MM

d	100,000
D	155,000
B	70,000
T	72,481

WEIGHT, KG 4,900

MANUFACTURER [TIMKEN](#)