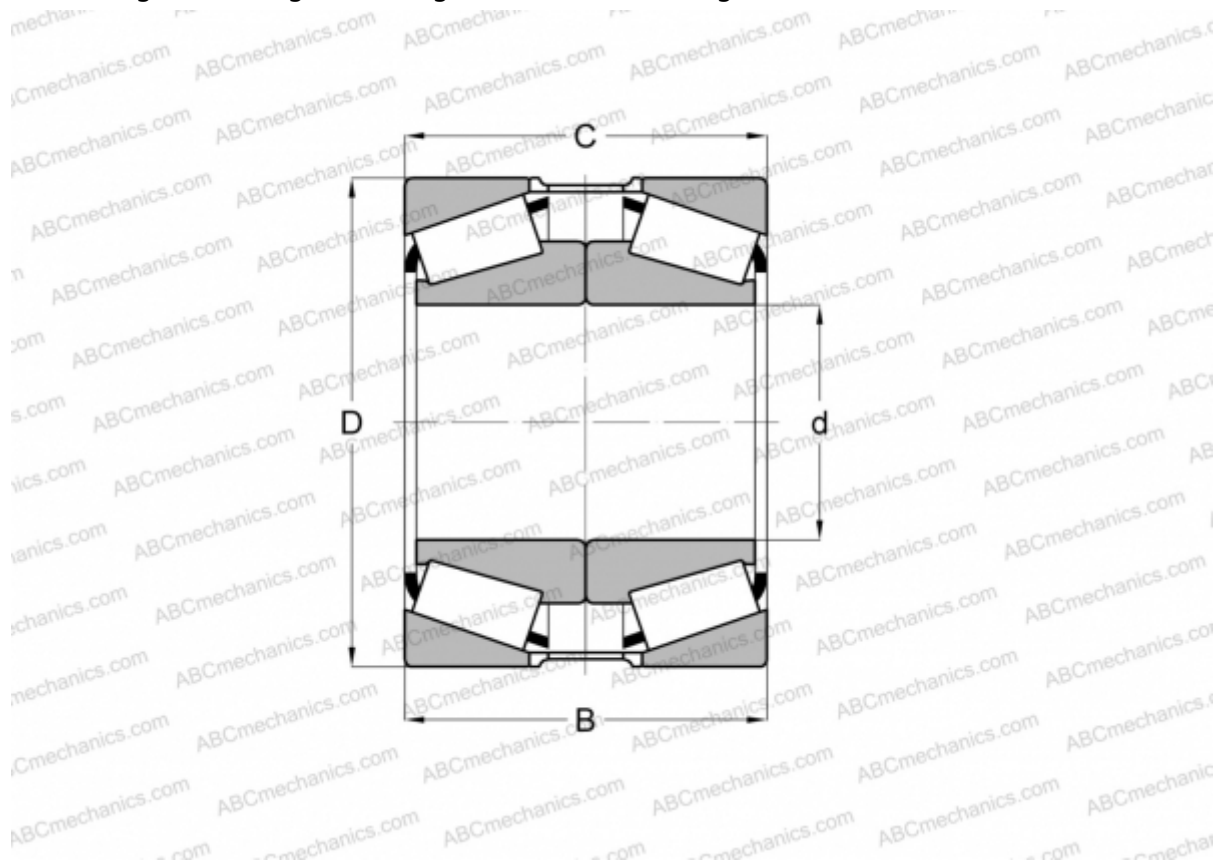


X302220M/Y302220M + JY18016-Q TIMKEN

Tapered roller bearings

TYPE: Roller bearings, Tapered, Tapered roller bearing assembly, Type 2TS-DM (O-mounting), two single row bearing, mounting inner ring, outer distance ring



Technical specification

DIMENSIONS, MM

d	100,000
D	180,000
B	68,000
T	74,000

WEIGHT, KG 7,870

MANUFACTURER [TIMKEN](#)