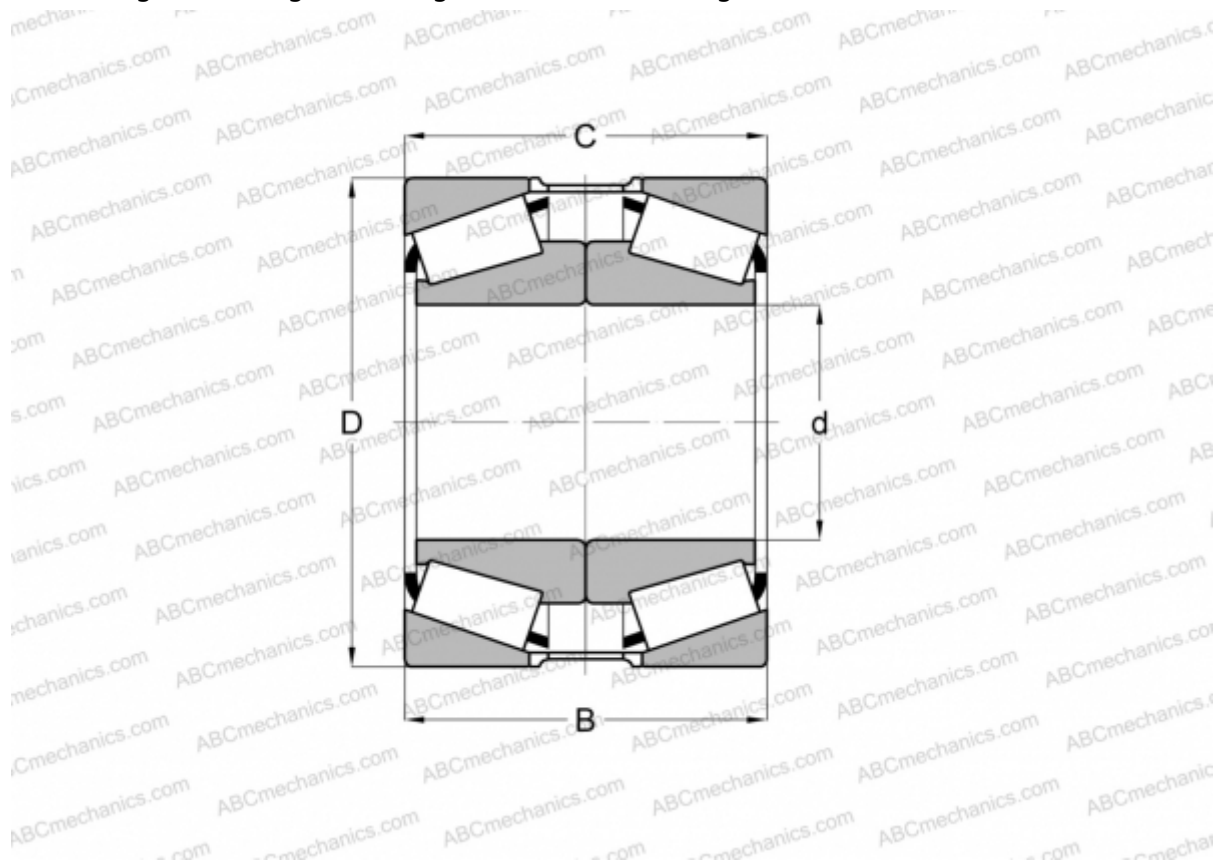


HH224340/HH224310 + HH224310EC TIMKEN

Tapered roller bearings

TYPE: Roller bearings, Tapered, Tapered roller bearing assembly, Type 2TS-DM (O-mounting), two single row bearing, mounting inner ring, outer distance ring



Technical specification

DIMENSIONS, MM

d	107,950
D	212,725
B	133,350
T	133,350

WEIGHT, KG 21,350

MANUFACTURER [TIMKEN](#)