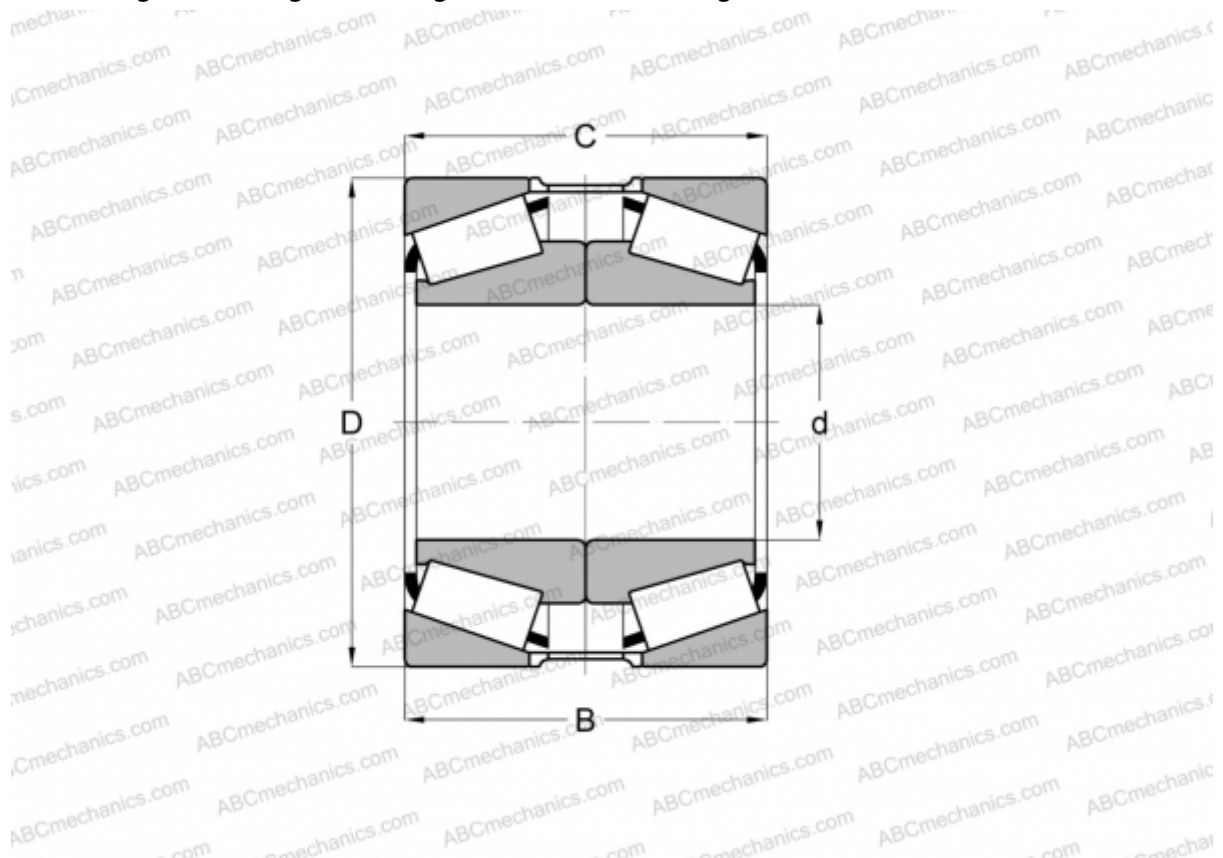


## H924045/H924010 + H924010EA TIMKEN

Tapered roller bearings

TYPE: Roller bearings, Tapered, Tapered roller bearing assembly, Type 2TS-DM (O-mounting), two single row bearing, mounting inner ring, outer distance ring



### Technical specification

#### DIMENSIONS, MM

|   |         |
|---|---------|
| d | 111,125 |
| D | 214,312 |
| B | 104,776 |
| T | 111,125 |

**WEIGHT, KG** 17,330

**MANUFACTURER** [TIMKEN](#)